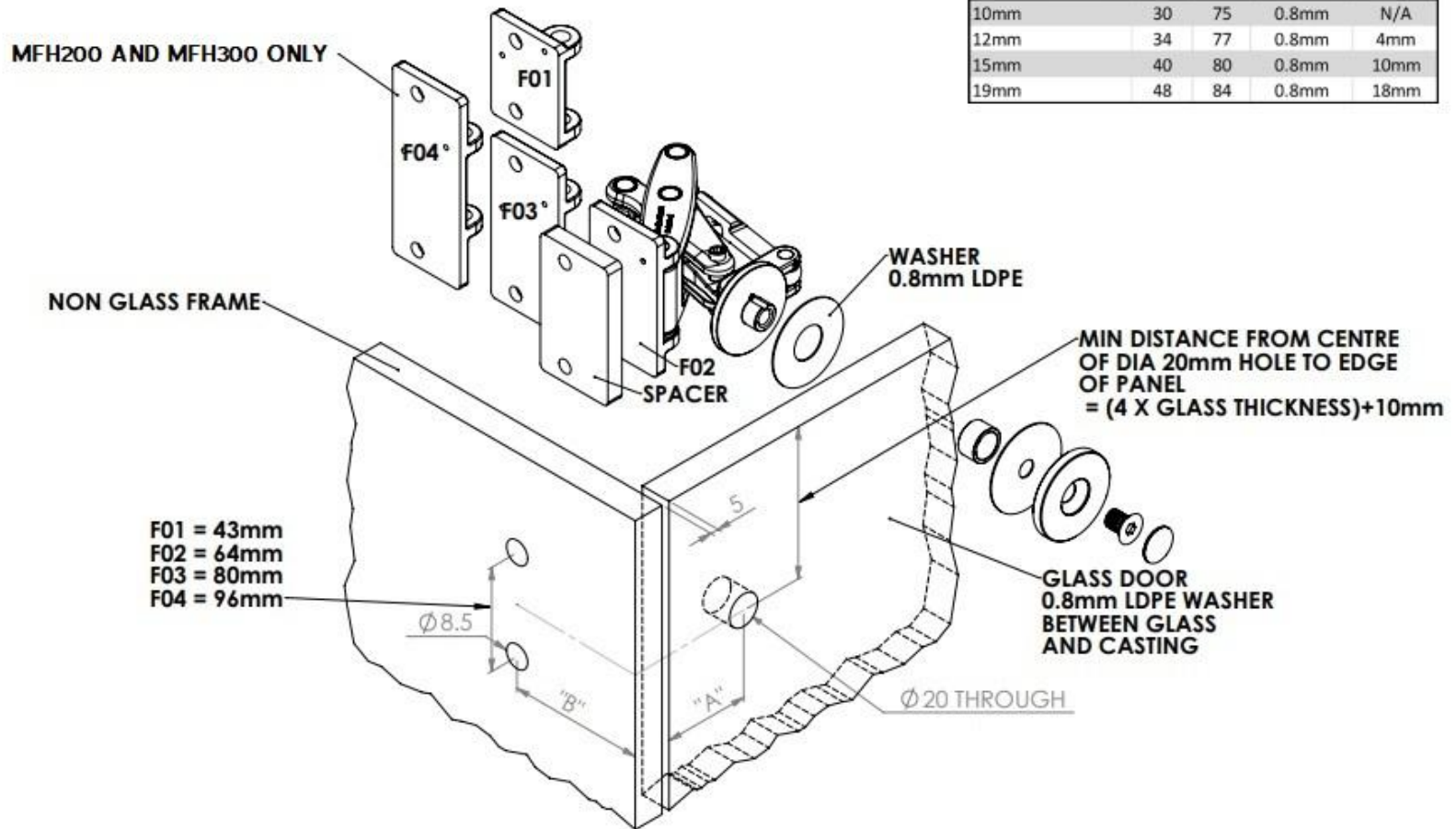


ALL HINGE MODELS – MFH100 / MFH200 / MFH300

MFH100, MFH 200 and MFH300				
INSET D01 and D02 FRONT MOUNT GLASS DOOR TO NON GLASS FRAME				
DOOR THICKNESS	"A"	"B"	WASHER	SPACER
10mm	30	75	0.8mm	N/A
12mm	34	77	0.8mm	4mm
15mm	40	80	0.8mm	10mm
19mm	48	84	0.8mm	18mm



DISCLAIMER OF LIABILITY:

Since the conditions or methods of installation, operation, use and maintenance of this product are beyond its control, Manfred Frank Limited does not assume responsibility and expressly disclaims liability of loss, damage, or expense arising out of or in any way connected with such installation, operation, use or maintenance

CONTACT & SUPPORT:  
 support@manfredfrank.com  
 +64 9 272 3690  
 www.manfredfrank.com