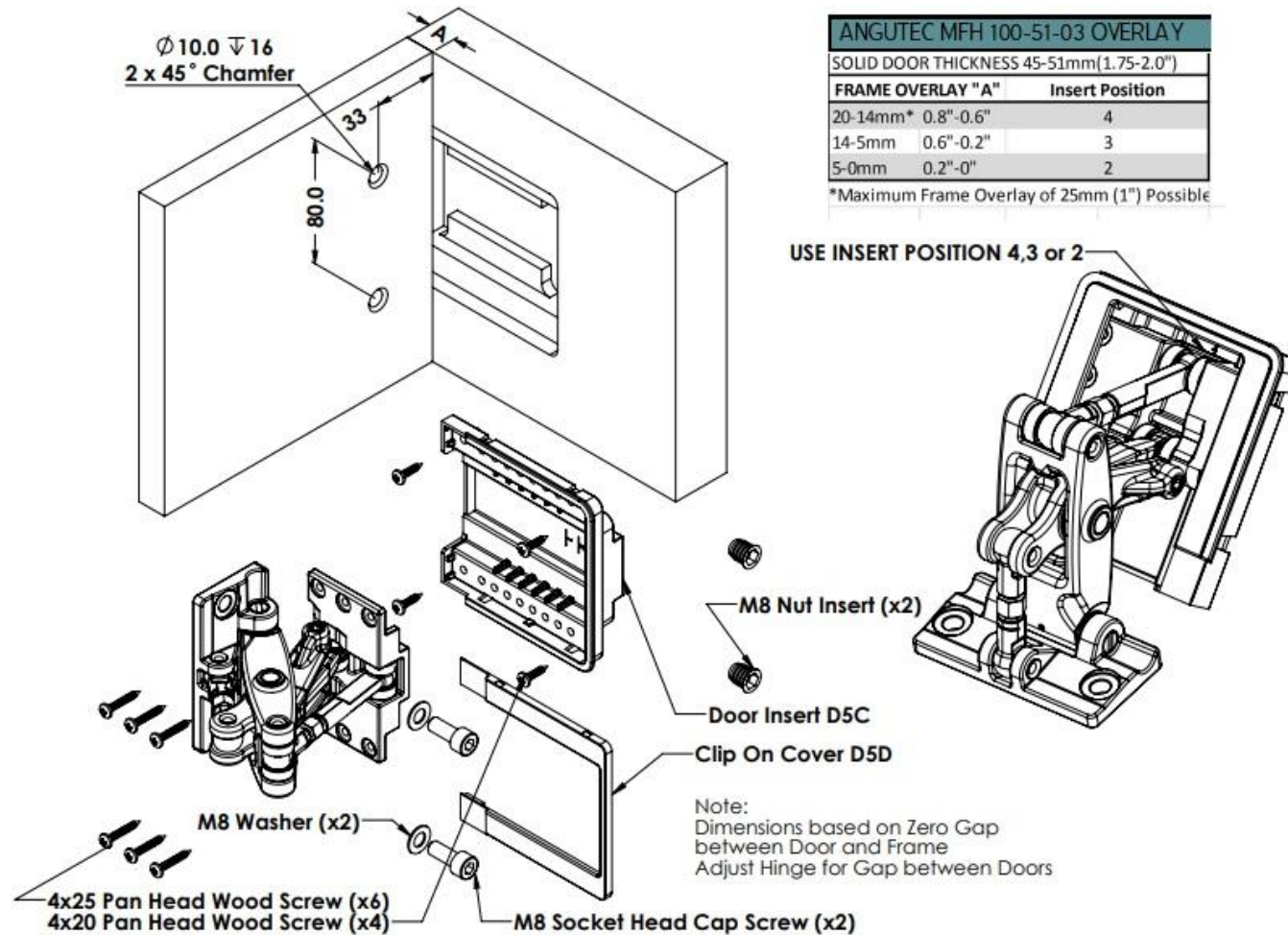


PANEL DETAILS

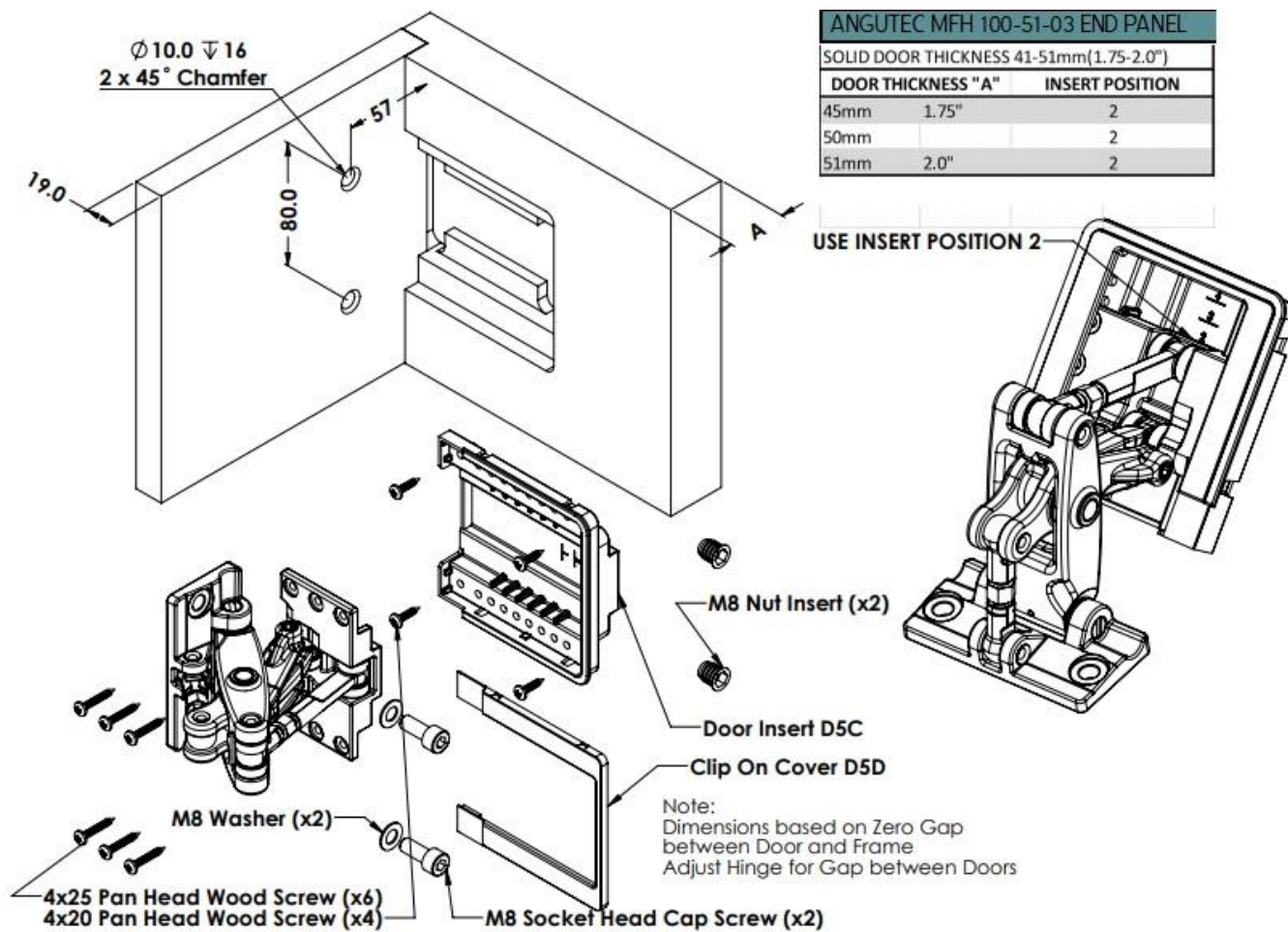


DISCLAIMER OF LIABILITY:

Since the conditions or methods of installation, operation, use and maintenance of this product are beyond its control; Manfred Frank Limited does not assume responsibility and expressly disclaims liability of loss, damage, or expense arising out of or in any way connected with such installation, operation, use or maintenance

CONTACT & SUPPORT:
 support@manfredfrank.com
 +64 9 272 3690
 www.manfredfrank.com

END PANEL DETAILS



ANGUTEC MFH 100-51-03 END PANEL		
SOLID DOOR THICKNESS 41-51mm(1.75-2.0")		
DOOR THICKNESS "A"	INSERT POSITION	
45mm	1.75"	2
50mm		2
51mm	2.0"	2

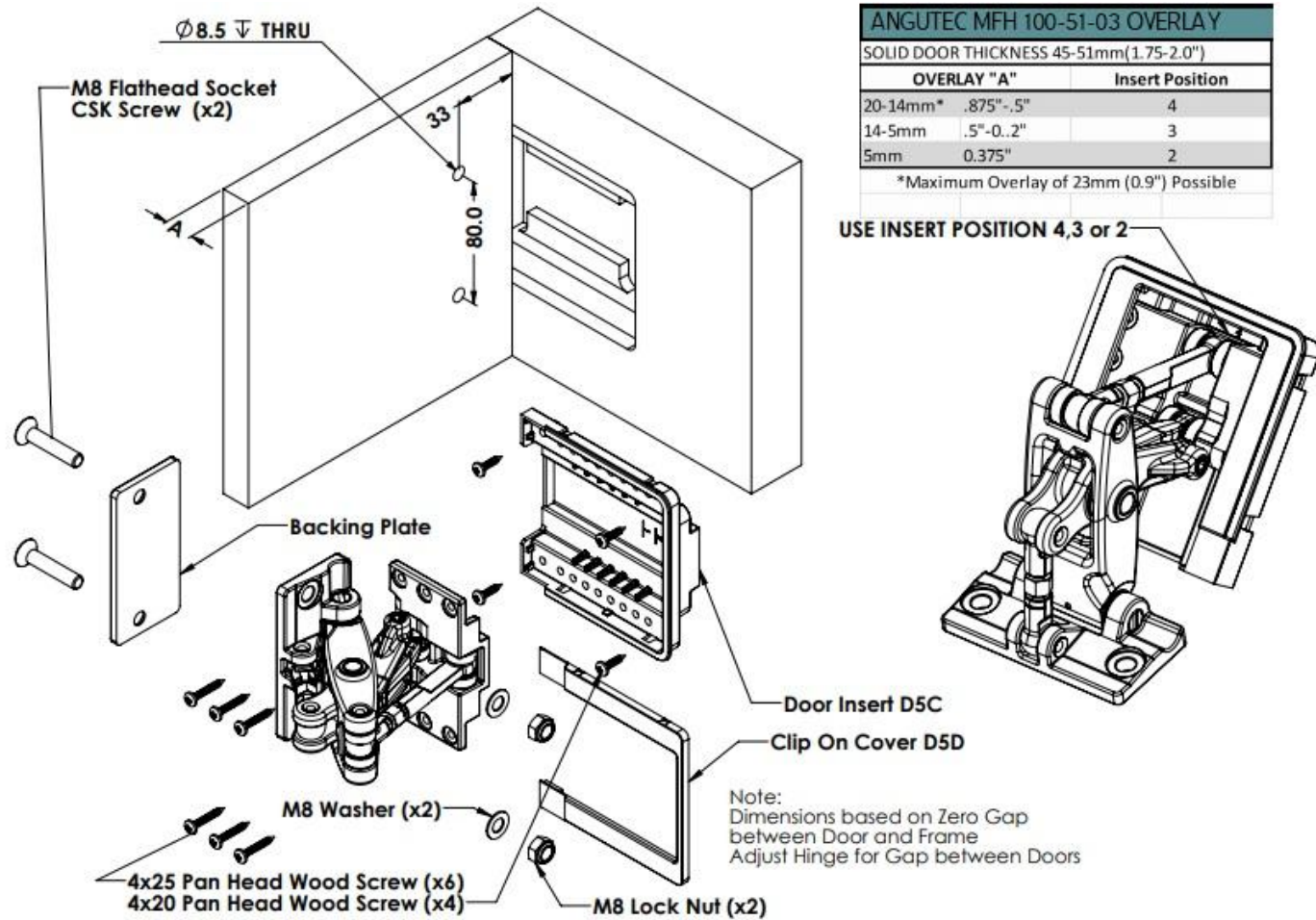
USE INSERT POSITION 2

DISCLAIMER OF LIABILITY:

Since the conditions or methods of installation, operation, use and maintenance of this product are beyond its control; Manfred Frank Limited does not assume responsibility and expressly disclaims liability of loss, damage, or expense arising out of or in any way connected with such installation, operation, use or maintenance

CONTACT & SUPPORT:
support@manfredfrank.com
 +64 9 272 3690
www.manfredfrank.com

FRAME DETAILS



DISCLAIMER OF LIABILITY:

Since the conditions or methods of installation, operation, use and maintenance of this product are beyond its control; Manfred Frank Limited does not assume responsibility and expressly disclaims liability of loss, damage, or expense arising out of or in any way connected with such installation, operation, use or maintenance

CONTACT & SUPPORT:

+64 9 272 3690

www.manfredfrank.com