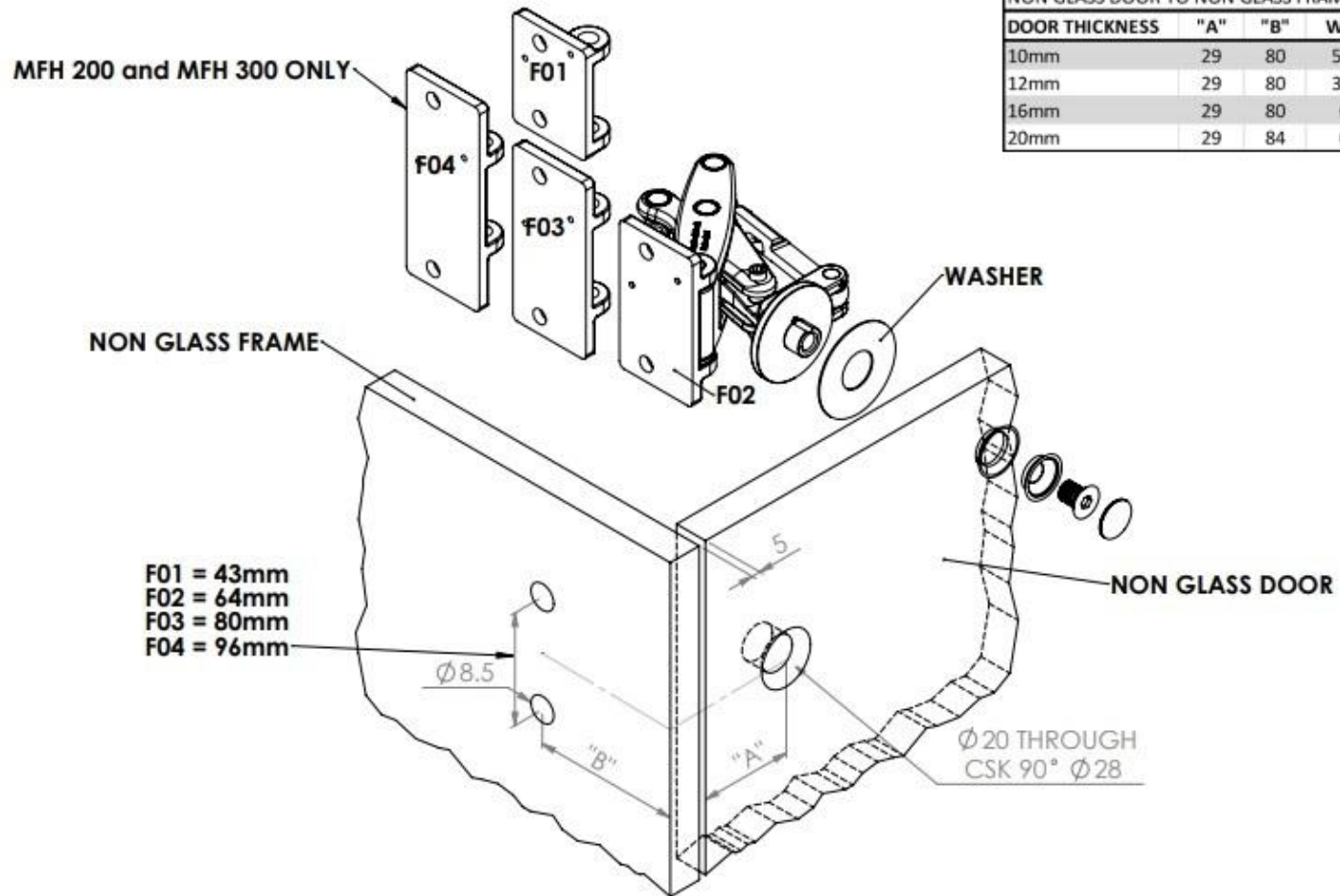


ALL HINGE MODELS – MFH100 / MFH200 / MFH300



MFH100, MFH 200 and MFH300				
INSET D01 and D02 FRONT MOUNT CSK				
NON GLASS DOOR TO NON GLASS FRAME				
DOOR THICKNESS	"A"	"B"	WASHER	SPACER
10mm	29	80	5.5mm	N/A
12mm	29	80	3.5mm	N/A
16mm	29	80	0mm	N/A
20mm	29	84	0mm	N/A

DISCLAIMER OF LIABILITY:

Since the conditions or methods of installation, operation, use and maintenance of this product are beyond its control, Manfred Frank Limited does not assume responsibility and expressly disclaims liability of loss, damage, or expense arising out of or in any way connected with such installation, operation, use or maintenance

CONTACT & SUPPORT:

support@manfredfrank.com
 +64 9 272 3690
 www.manfredfrank.com