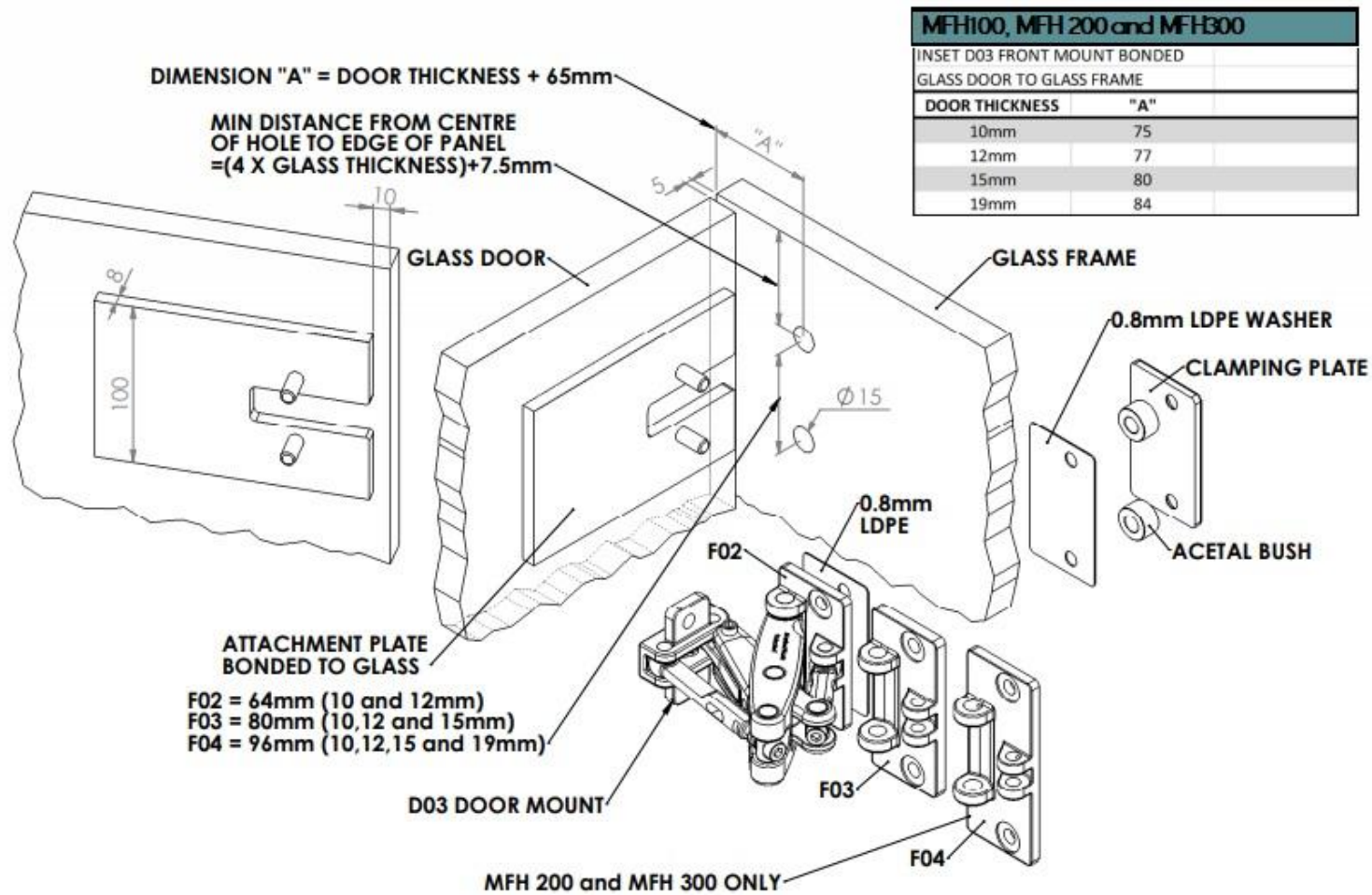


ALL HINGE MODELS
 MFH100 / MFH200 / MFH300



DISCLAIMER OF LIABILITY:

Since the conditions or methods of installation, operation, use and maintenance of this product are beyond its control, Manfred Frank Limited does not assume responsibility and expressly disclaims liability of loss, damage, or expense arising out of or in any way connected with such installation, operation, use or maintenance

CONTACT & SUPPORT:
 support@manfredfrank.com
 +64 9 272 3690
 www.manfredfrank.com