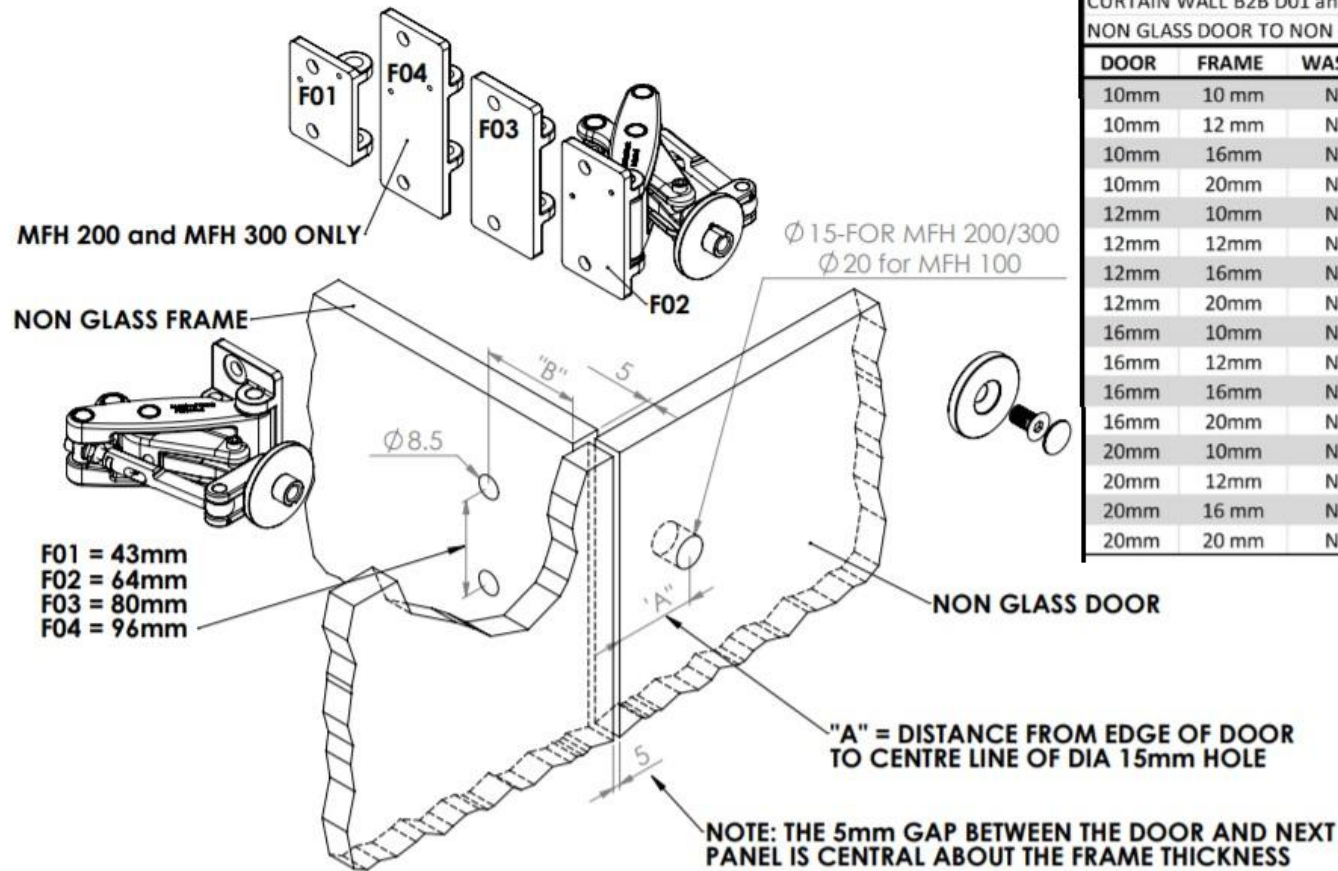


ALL HINGE MODELS MFH100 / MFH200 / MFH300



MFH100, MFH200 and MFH300						
CURTAIN WALL B2B D01 and D02 FRONT MOUNT						
NON GLASS DOOR TO NON GLASS FRAME						
DOOR	FRAME	WASHER	SPACER	"A"	"B"	
10mm	10 mm	N/A	N/A	37	59	
10mm	12 mm	N/A	N/A	38	59	
10mm	16mm	N/A	N/A	40	59	
10mm	20mm	N/A	N/A	42	59	
12mm	10mm	N/A	N/A	37	59	
12mm	12mm	N/A	N/A	38	59	
12mm	16mm	N/A	N/A	40	59	
12mm	20mm	N/A	N/A	42	59	
16mm	10mm	N/A	N/A	37	59	
16mm	12mm	N/A	N/A	38	59	
16mm	16mm	N/A	N/A	40	59	
16mm	20mm	N/A	N/A	42	59	
20mm	10mm	N/A	N/A	37	59	
20mm	12mm	N/A	N/A	38	59	
20mm	16 mm	N/A	N/A	40	59	
20mm	20 mm	N/A	N/A	42	59	

DISCLAIMER OF LIABILITY:

Since the conditions or methods of installation, operation, use and maintenance of this product are beyond its control, Manfred Frank Limited does not assume responsibility and expressly disclaims liability of loss, damage, or expense arising out of or in any way connected with such installation, operation, use or maintenance

CONTACT & SUPPORT:
support@manfredfrank.com
 +64 9 272 3690
www.manfredfrank.com