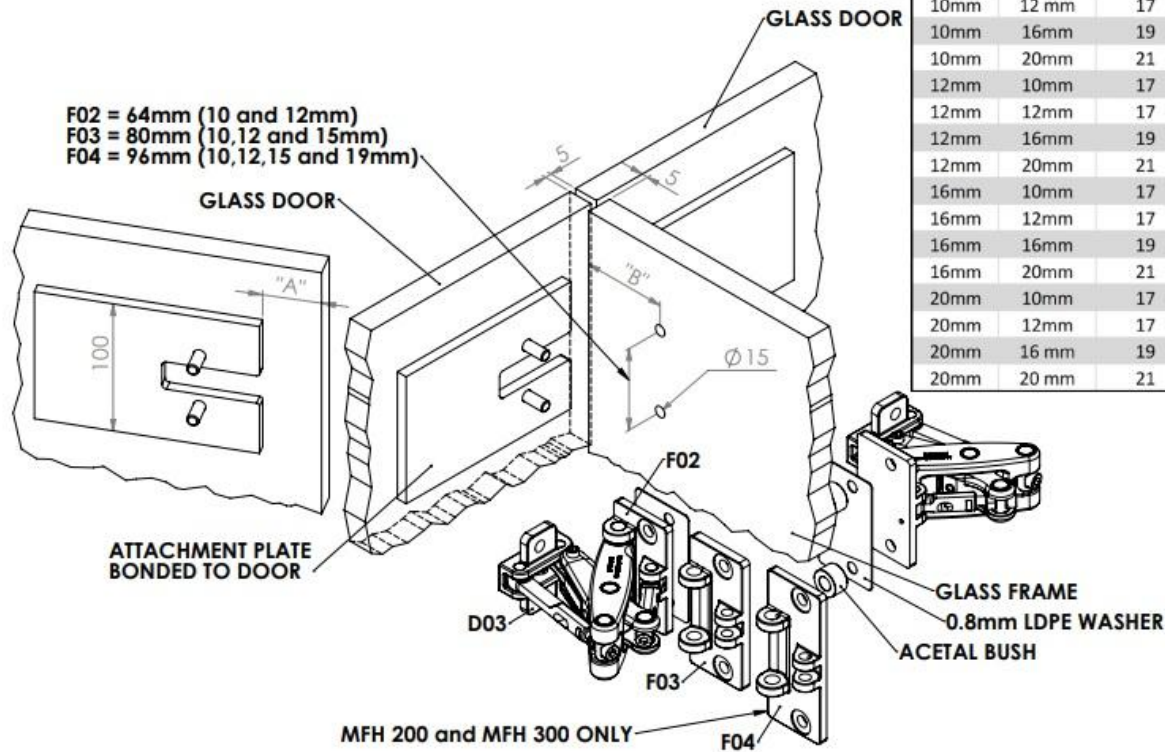


ALL HINGE MODELS MFH100 / MFH200 / MFH300

NOTE: THE 5mm GAP BETWEEN THE DOOR AND NEXT PANEL IS CENTRAL ABOUT THE FRAME THICKNESS



MFH100, MFH200 and MFH300

CURTAIN WALL B2B D03 FRONT MOUNT BONDED
GLASS DOOR TO GLASS FRAME

DOOR	FRAME	"A"	"B"
10mm	10 mm	17	60
10mm	12 mm	17	60
10mm	16mm	19	60
10mm	20mm	21	60
12mm	10mm	17	60
12mm	12mm	17	60
12mm	16mm	19	60
12mm	20mm	21	60
16mm	10mm	17	60
16mm	12mm	17	60
16mm	16mm	19	60
16mm	20mm	21	60
20mm	10mm	17	60
20mm	12mm	17	60
20mm	16 mm	19	60
20mm	20 mm	21	60

DISCLAIMER OF LIABILITY:

Since the conditions or methods of installation, operation, use and maintenance of this product are beyond its control, Manfred Frank Limited does not assume responsibility and expressly disclaims liability of loss, damage, or expense arising out of or in any way connected with such installation, operation, use or maintenance

CONTACT & SUPPORT:

support@manfredfrank.com

+64 9 272 3690

www.manfredfrank.com