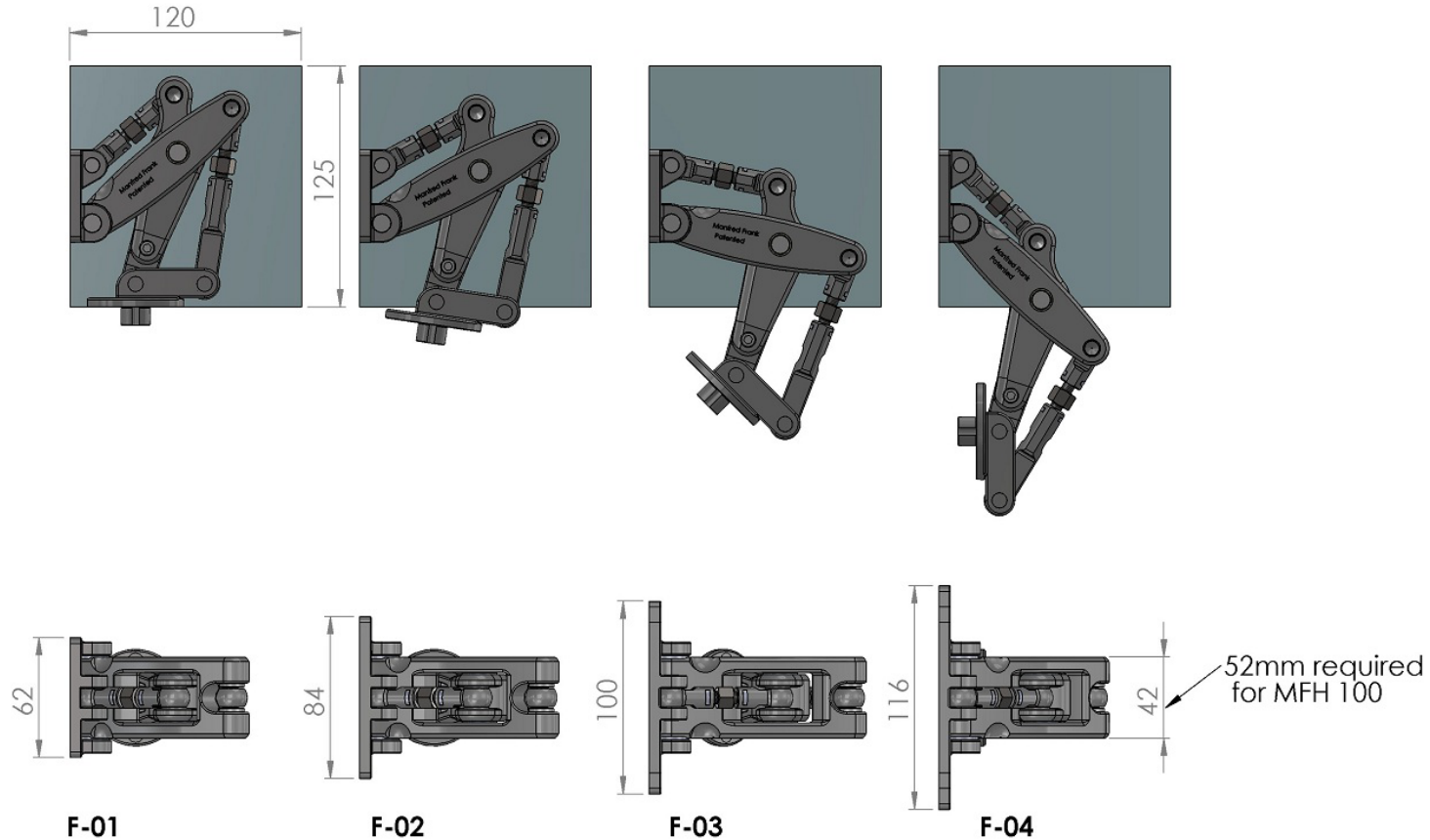


CLEARANCES REQUIRED FOR MFH 100, MFH 200 AND MFH 300 HINGES



MFH 100, MFH 200 AND MFH 300 HEIGHTS WITH VARIOUS FRAME MOUNTS

DISCLAIMER OF LIABILITY:

Since the conditions or methods of installation, operation, use and maintenance of this product are beyond its control, Manfred Frank Systems Limited does not assume responsibility and expressly disclaims liability of loss, damage, or expense arising out of or in any way connected with such installation, operation, use, or maintenance.

© Manfred Frank Systems Ltd.
 All Rights Reserved.

CONTACT & SUPPORT:
 support@manfredfrank.com
 Manfred Frank Systems, Unit C, 11 Echelon Place, Botany 2013, Auckland, New Zealand
 PO Box 259239, Botany 2163, Auckland, New Zealand
 +64 9 272 3690