

MFH 100, MFH 200 and MFH 300		
OVERLAY D01 and D02 FRONT MOUNT		
GLASS DOOR TO GLASS FRAME		
DOOR THICKNESS	OVERHANG MIN	OVERHANG MAX
10mm	0 mm	19 mm
12mm	0 mm	19 mm
15mm	5 mm	19 mm
19mm	13 mm	19mm

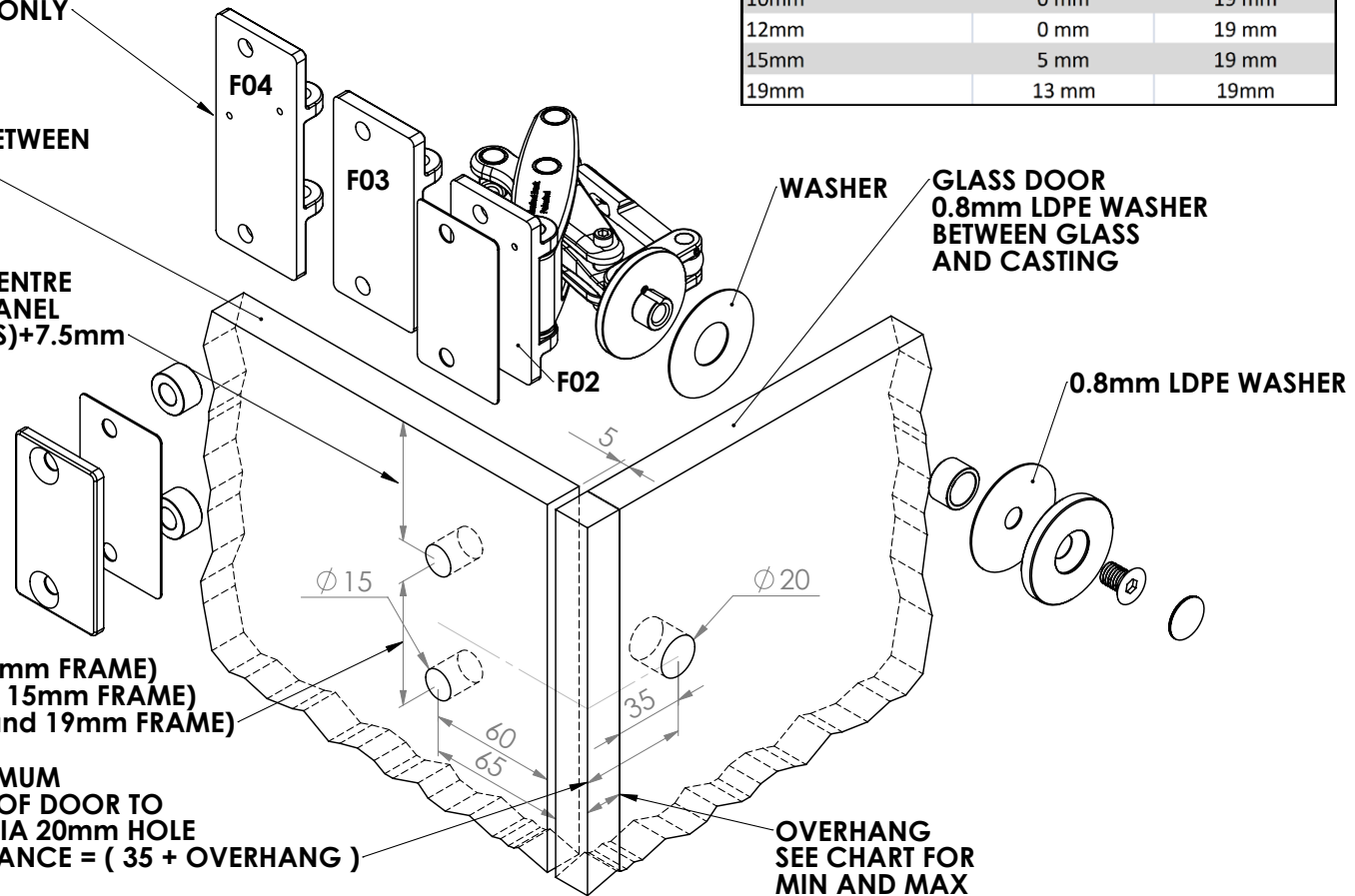
MFH 200 AND MFH 300 ONLY

GLASS FRAME
 0.8mm LDPE WASHER BETWEEN
 GLASS AND CASTING

MIN DISTANCE FROM CENTRE
 OF HOLE TO EDGE OF PANEL
 = (4 X GLASS THICKNESS)+7.5mm

F02 = 64mm (10 and 12mm FRAME)
 F03 = 80mm (10,12 and 15mm FRAME)
 F04 = 96mm (10,12,15 and 19mm FRAME)

54mm MAXIMUM
 FROM EDGE OF DOOR TO
 CENTRE OF DIA 20mm HOLE
 ACTUAL DISTANCE = (35 + OVERHANG)



DISCLAIMER OF LIABILITY:

Since the conditions or methods of installation, operation, use and maintenance of this product are beyond its control, Manfred Frank Systems Limited does not assume responsibility and expressly disclaims liability of loss, damage, or expense arising out of or in any way connected with such installation, operation, use, or maintenance.

© Manfred Frank Systems Ltd.
 All Rights Reserved.

CONTACT & SUPPORT:

support@manfredfrank.com
 Manfred Frank Systems, Unit C, 11 Echelon Place, Botany 2013, Auckland, New Zealand
 PO Box 259239, Botany 2163, Auckland, New Zealand
 +64 9 272 3690