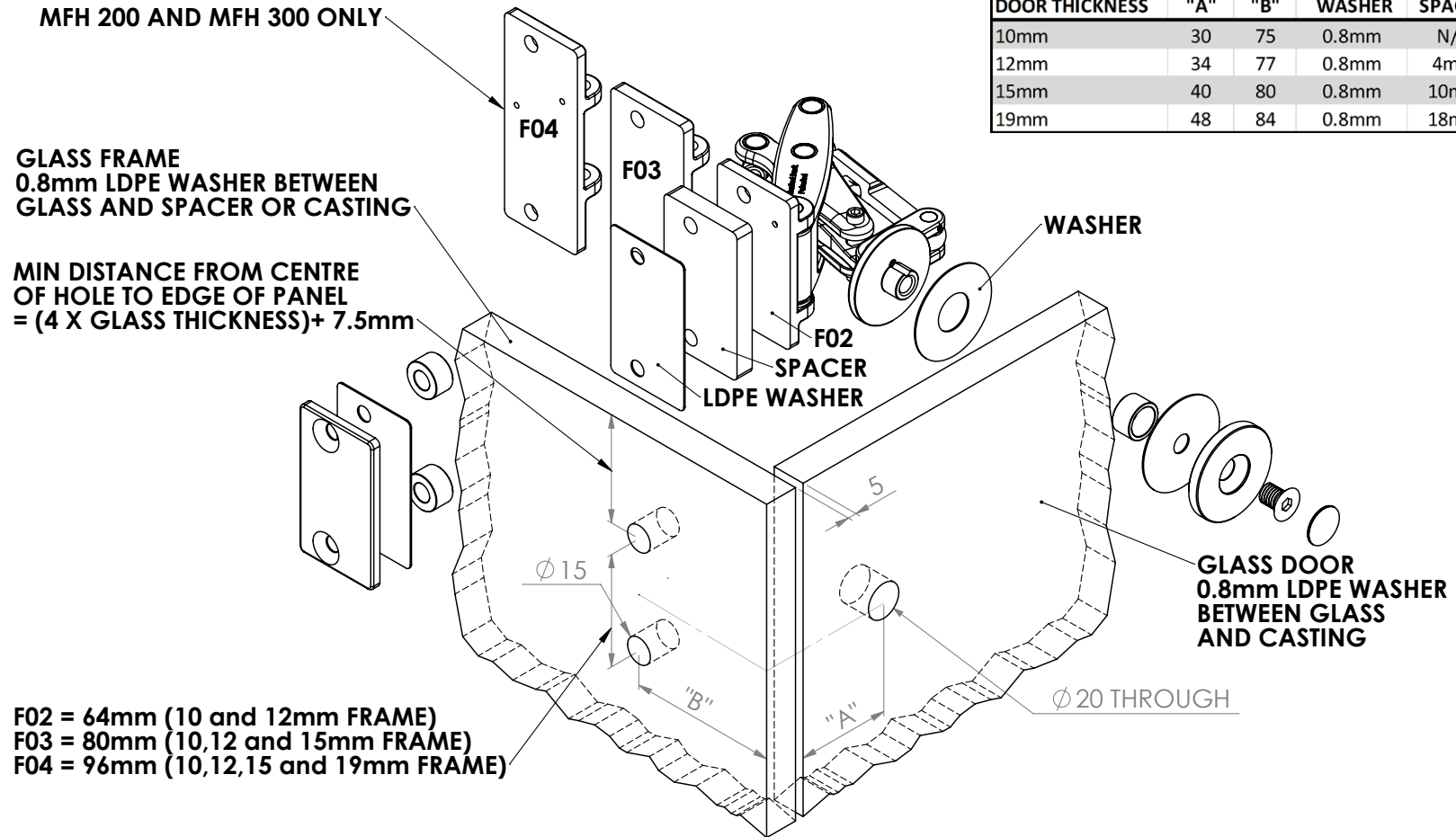


MFH 100, MFH 200 and MFH 300				
INSET D01 and D02 FRONT MOUNT				
GLASS DOOR TO GLASS FRAME				
DOOR THICKNESS	"A"	"B"	WASHER	SPACER
10mm	30	75	0.8mm	N/A
12mm	34	77	0.8mm	4mm
15mm	40	80	0.8mm	10mm
19mm	48	84	0.8mm	18mm



**DISCLAIMER OF LIABILITY:**

Since the conditions or methods of installation, operation, use and maintenance of this product are beyond its control, Manfred Frank Systems Limited does not assume responsibility and expressly disclaims liability of loss, damage, or expense arising out of or in any way connected with such installation, operation, use, or maintenance.

© Manfred Frank Systems Ltd.  
All Rights Reserved.

**CONTACT & SUPPORT:**

support@manfredfrank.com  
Manfred Frank Systems, Unit C, 11 Echelon Place, Botany 2013, Auckland, New Zealand  
PO Box 259239, Botany 2163, Auckland, New Zealand  
+64 9 272 3690