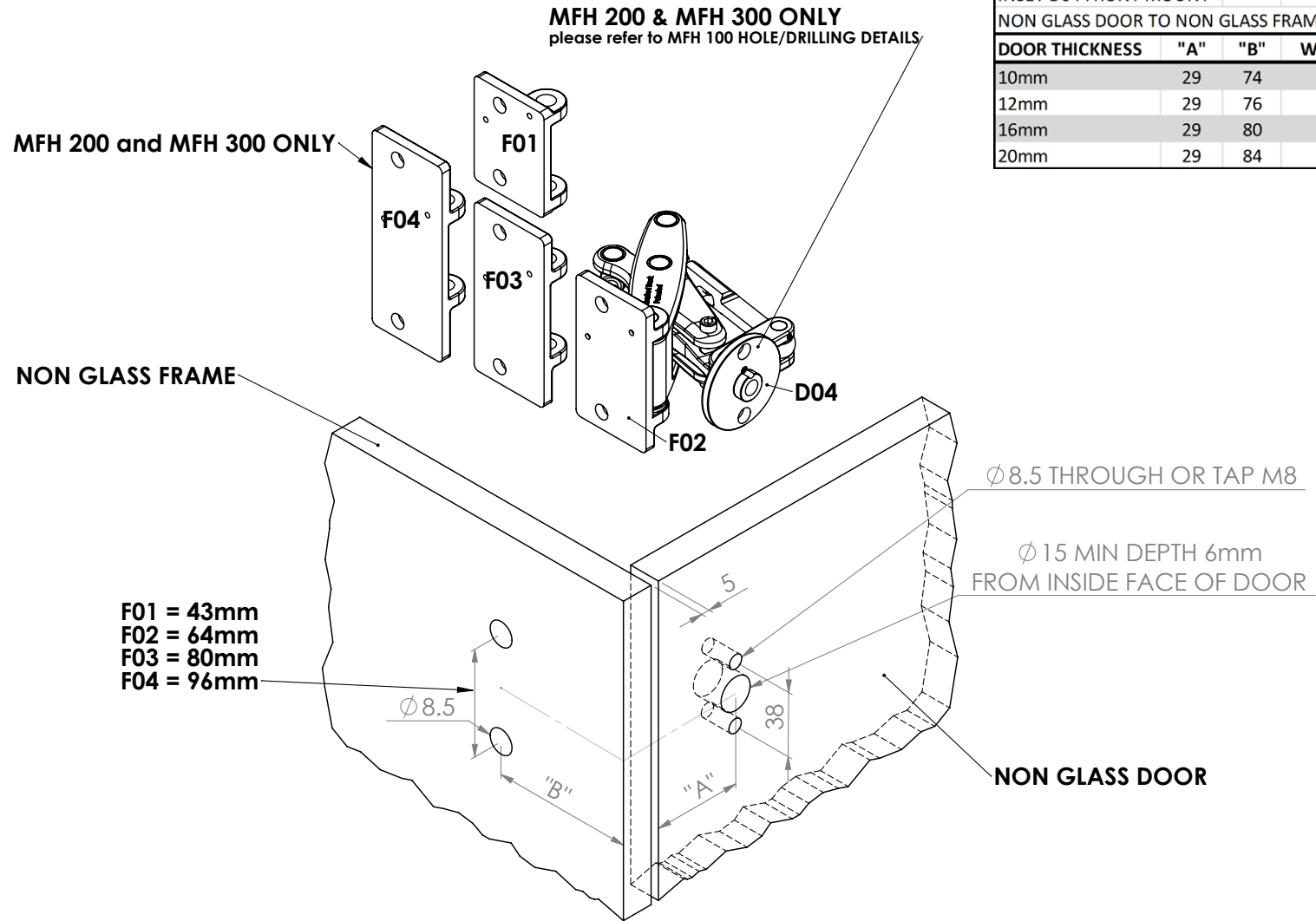


MFH200 & MFH300 Only



DISCLAIMER OF LIABILITY:

Since the conditions or methods of installation, operation, use and maintenance of this product are beyond its control, Manfred Frank Systems Limited does not assume responsibility and expressly disclaims liability of loss, damage, or expense arising out of or in any way connected with such installation, operation, use, or maintenance.

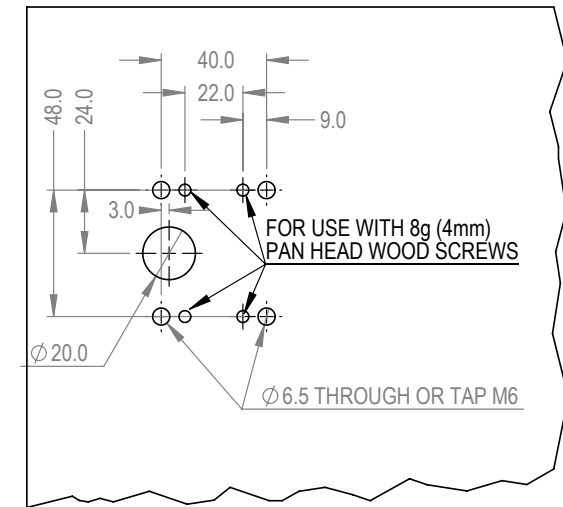
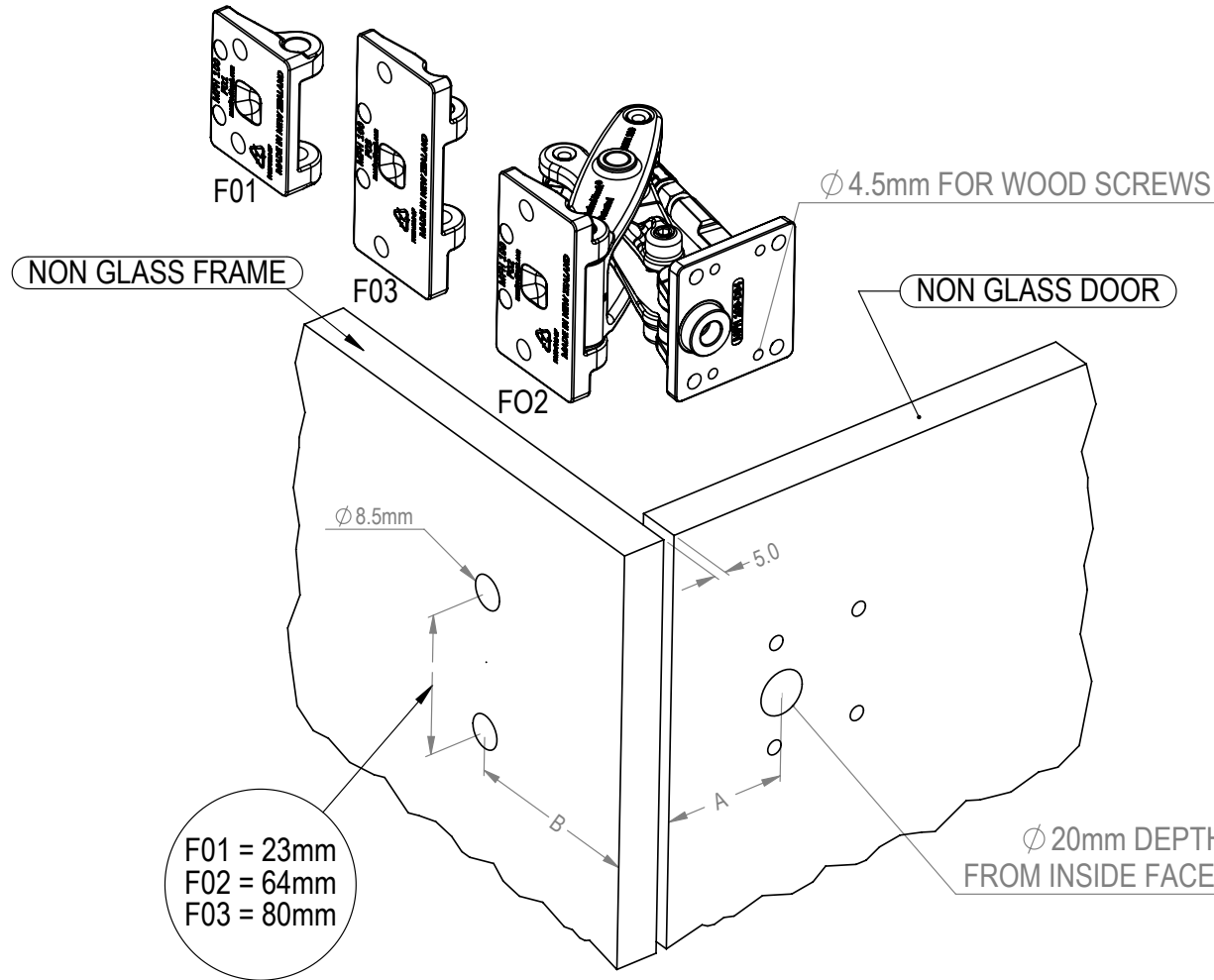
© Manfred Frank Systems Ltd.
All Rights Reserved.

CONTACT & SUPPORT:
support@manfredfrank.com
Manfred Frank Systems, Unit C, 11 Echelon Place, Botany 2013, Auckland, New Zealand
PO Box 259239, Botany 2163, Auckland, New Zealand
+64 9 272 3690

MFH100 Only

IMPORTANT: DO NOT USE COUNTERSUNK SCREWS

MFH 100 ANGUTEC				
INSET D04 FRONT MOUNT				
NON GLASS DOOR TO NON GLASS FRAME				
DOOR THICKNESS	"A"	"B"	WASHER	SPACER
10mm	29	74	N/A	N/A
12mm	29	76	N/A	N/A
16mm	29	80	N/A	N/A
20mm	29	84	N/A </td <td>N/A</td>	N/A



DISCLAIMER OF LIABILITY:

Since the conditions or methods of installation, operation, use and maintenance of this product are beyond its control, Manfred Frank Systems Limited does not assume responsibility and expressly disclaims liability of loss, damage, or expense arising out of or in any way connected with such installation, operation, use, or maintenance.

© Manfred Frank Systems Ltd.
All Rights Reserved.

CONTACT & SUPPORT:

support@manfredfrank.com
Manfred Frank Systems, Unit C, 11 Echelon Place, Botany 2013, Auckland, New Zealand
PO Box 259239, Botany 2163, Auckland, New Zealand
+64 9 272 3690