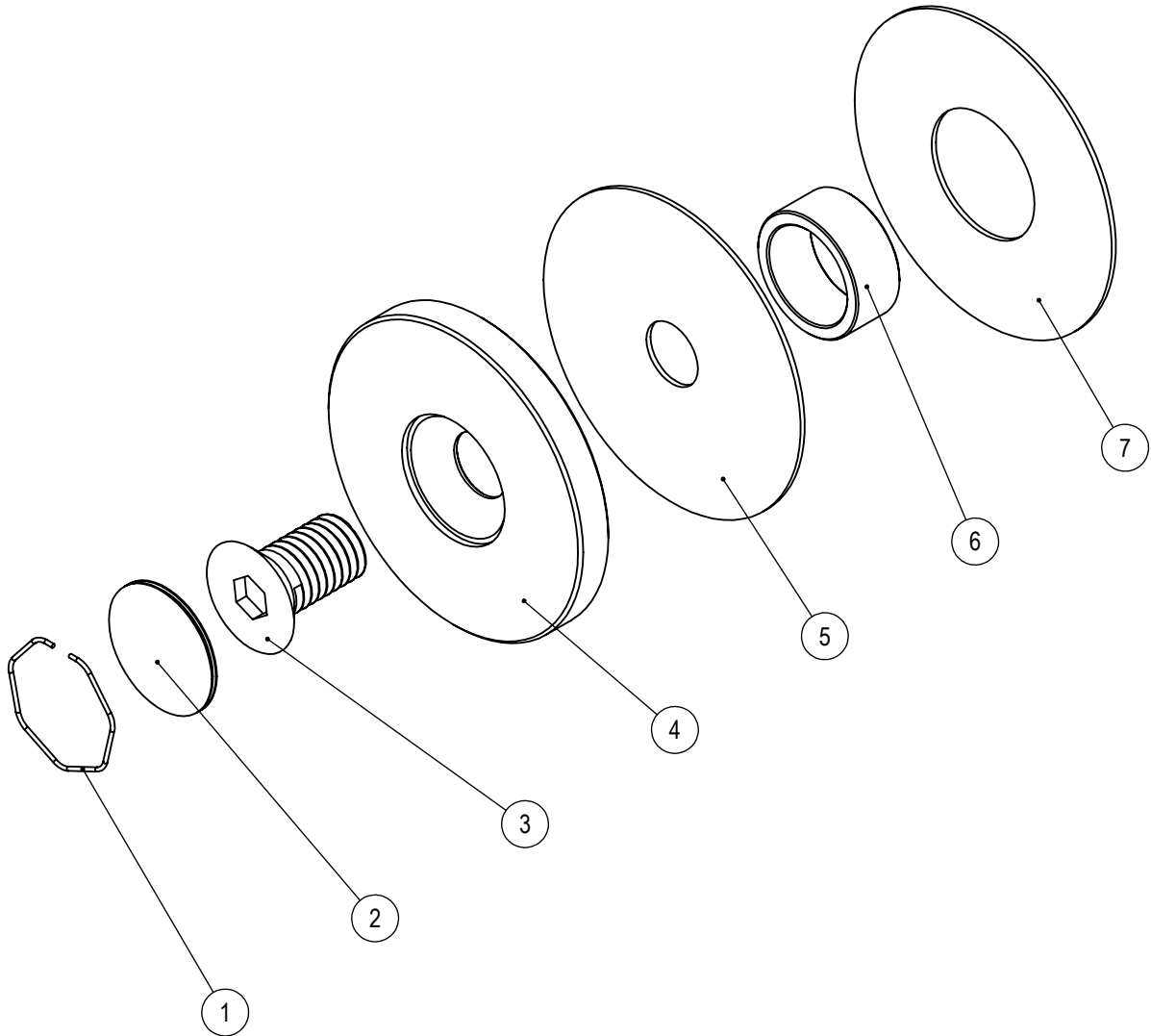
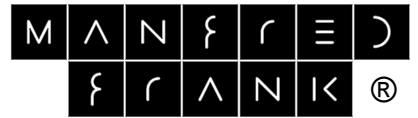


Manfred Frank Systems Limited
 PO. Box 259239, Botany, 2163
 Auckland, New Zealand
www.manfredfrank.com

KITSET D01-001A 10mm Glass

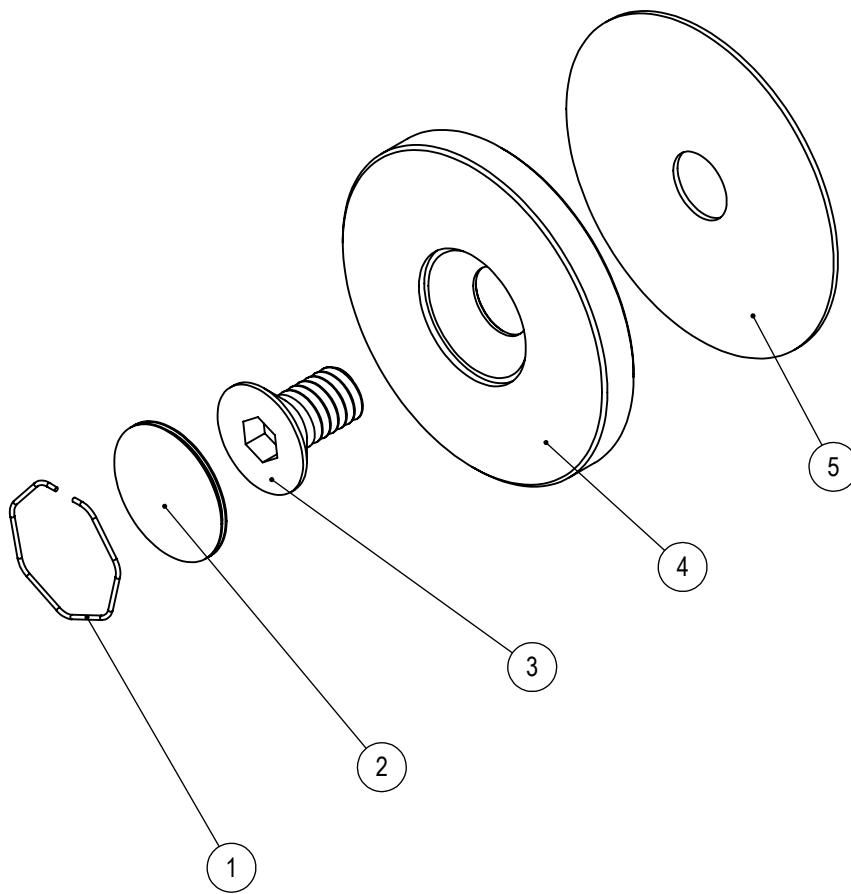


ITEM	PART NUMBER	QTY.	DESCRIPTION	SIZE	MATERIAL	NOTES
1	SC-SPCOV	1	Spring Clip	20*0.6	AISI 316 SS	Fit in Screw Cover
2	SC-COV	1	Screw Cover	20*1	AISI 316 SS	Machined Finish
3	DS10-02	1	M10 SH-CSK Special	18mm	AISI 316 SS	Machined Flat
4	CP-03	1	Clamping Plate Flat	50*5.9	AISI 316 SS	Machined Finish
5	CP-W-01	1	Washer	50*10*0.8	LDPE	Natural Translucent
6	CP-B-02	1	Bush	19.5*15.2*8.5	Acetal	White
7	CP-W-02	1	Washer	50*20*0.8	LDPE	Natural Translucent

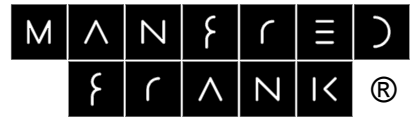


Manfred Frank Systems Limited
 PO. Box 259239, Botany, 2163
 Auckland, New Zealand
www.manfredfrank.com

KITSET D01-001A-P 10mm Glass

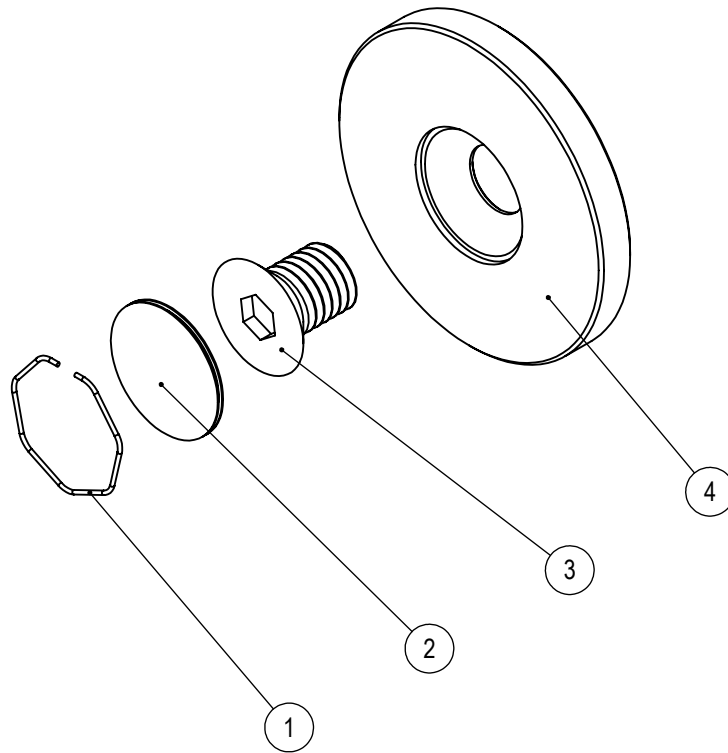


ITEM	PART NUMBER	QTY.	DESCRIPTION	SIZE	MATERIAL	NOTES
1	SC-SPCOV	1	Spring Clip	20*0.6	AISI 316 SS	Fit in Screw Cover
2	SC-COV	1	Screw Cover	20*1	AISI 316 SS	Machined Finish
3	DS08-01	1	M8 SH-CSK Special	16mm	AISI 316 SS	Machined Face
4	CP-03	1	Clamping Plate Flat	50*5.9	AISI 316 SS	Machined Finish
5	CP-W-01	1	Washer	50*10*0.8	LDPE	Natural Transluscent

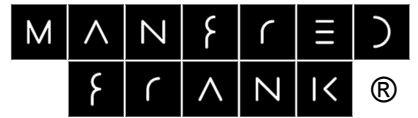


Manfred Frank Systems Limited
 PO. Box 259239, Botany, 2163
 Auckland, New Zealand
www.manfredfrank.com

KITSET D01-001B 10mm Non Glass

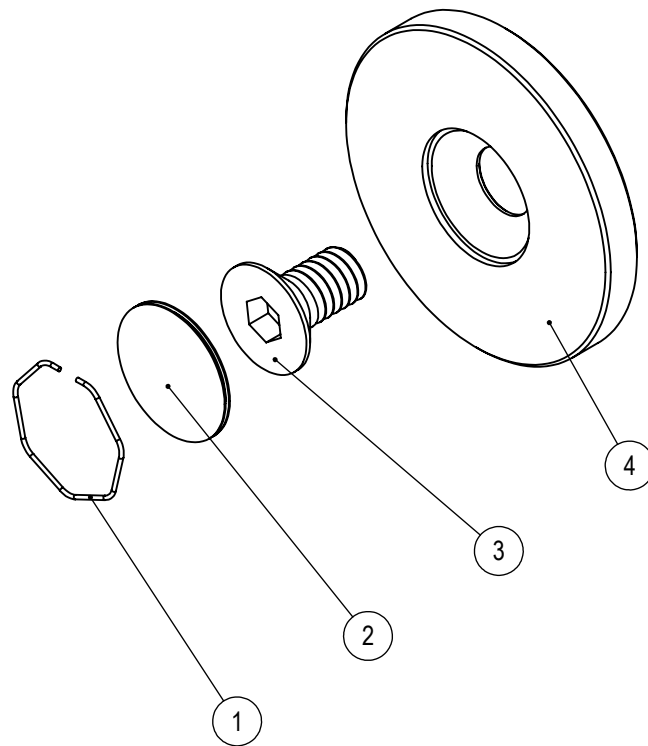


ITEM	PART NUMBER	QTY.	DESCRIPTION	SIZE	MATERIAL	NOTES
1	SC-SPCOV	1	Spring Clip	20*0.6	AISI 316 SS	Fit in Screw Cover
2	SC-COV	1	Screw Cover	20*1	AISI 316 SS	Machined Finish
3	DS10-01	1	M10 SH-CSK Special	14mm	AISI 316 SS	Machined Face
4	CP-03	1	Clamping Plate Flat	50*5.9	AISI 316 SS	Machined Finish

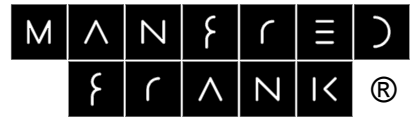


Manfred Frank Systems Limited
 PO. Box 259239, Botany, 2163
 Auckland, New Zealand
www.manfredfrank.com

KITSET D01-001B-P 10mm Non Glass

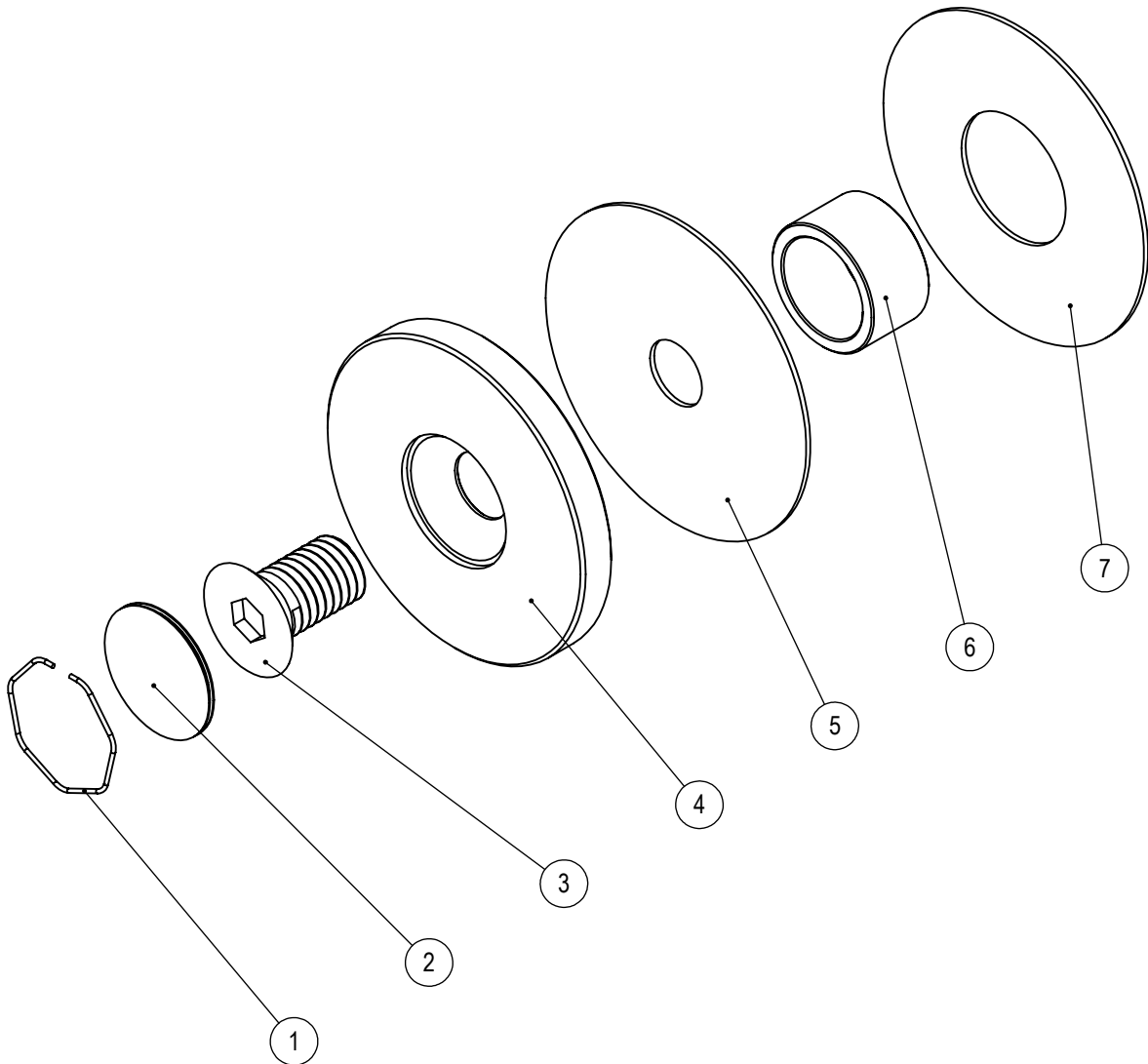


ITEM	PART NUMBER	QTY.	DESCRIPTION	SIZE	MATERIAL	NOTES
1	SC-SPCOV	1	Spring Clip	20*0.6	AISI 316 SS	Fit in Screw Cover
2	SC-COV	1	Screw Cover	20*1	AISI 316 SS	Machined Finish
3	DS08-01	1	M8 SH-CSK Special	16mm	AISI 316 SS	Machined Face
4	CP-03	1	Clamping Plate Flat	50*5.9	AISI 316 SS	Machined Finish

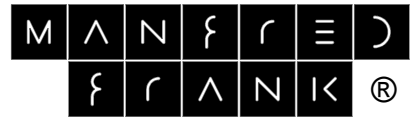


Manfred Frank Systems Limited
 PO. Box 259239, Botany, 2163
 Auckland, New Zealand
 www.manfredfrank.com

KITSET D01-002A 12mm Glass

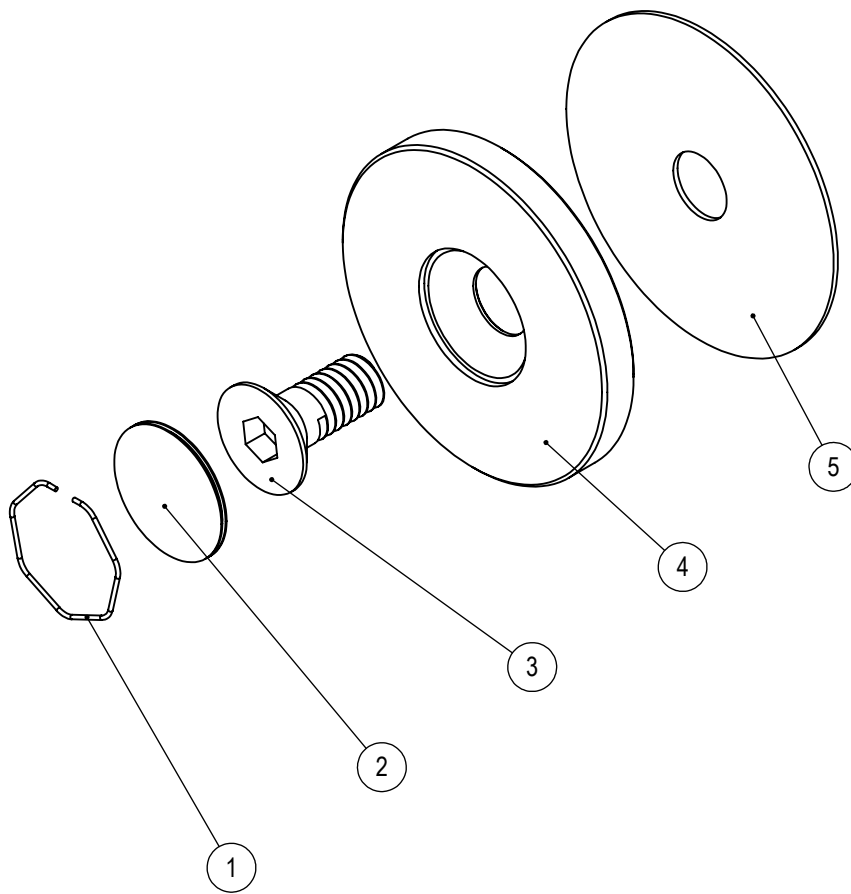


ITEM	PART NUMBER	QTY.	DESCRIPTION	SIZE	MATERIAL	NOTES
1	SC-SPCOV	1	Spring Clip	20*0.6	AISI 316 SS	Fit in Screw Cover
2	SC-COV	1	Screw Cover	20*1	AISI 316 SS	Machined Finish
3	DS10-02	1	M10 SH-CSK Special	18mm	AISI 316 SS	Machined Flat
4	CP-03	1	Clamping Plate Flat	50*5.9	AISI 316 SS	Machined Finish
5	CP-W-01	1	Washer	50*10*0.8	LDPE	Natural Translucent
6	CP-B-04	1	Bush	19.5*15.2*11	Acetal	White
7	CP-W-02	1	Washer	50*20*0.8	LDPE	Natural Translucent

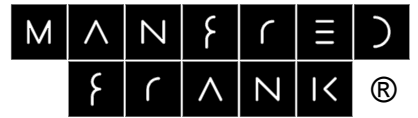


Manfred Frank Systems Limited
 PO. Box 259239, Botany, 2163
 Auckland, New Zealand
www.manfredfrank.com

KITSET D01-002A-P 12mm Glass

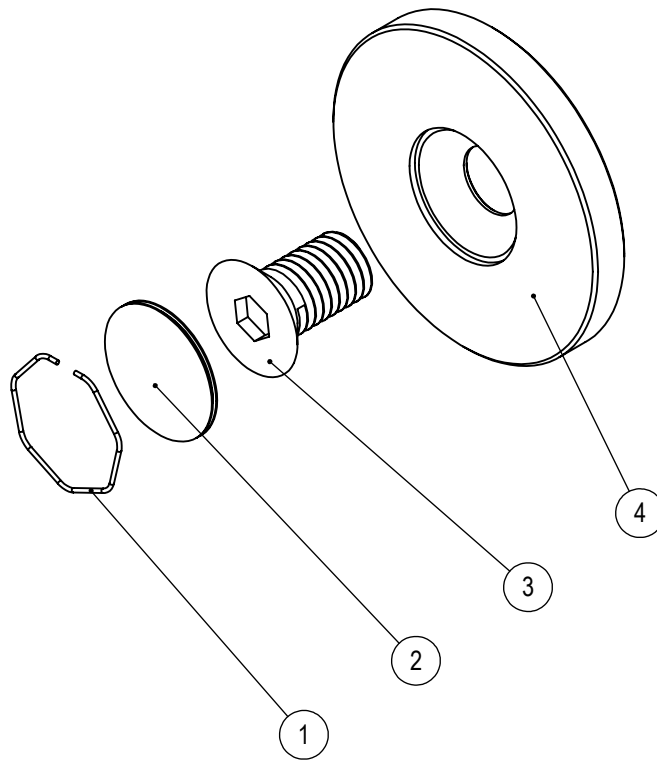


ITEM	PART NUMBER	QTY.	DESCRIPTION	SIZE	MATERIAL	NOTES
1	SC-SPCOV	1	Spring Clip	20*0.6	AISI 316 SS	Fit in Screw Cover
2	SC-COV	1	Screw Cover	20*1	AISI 316 SS	Machined Finish
3	DS08-02	1	M8 SH-CSK Special	20mm	AISI 316 SS	Machined Face
4	CP-03	1	Clamping Plate Flat	50*5.9	AISI 316 SS	Machined Finish
5	CP-W-01	1	Washer	50*10*0.8	LDPE	Natural Transluscent

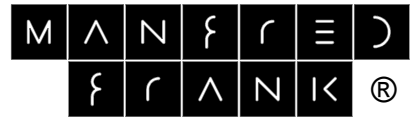


Manfred Frank Systems Limited
 PO. Box 259239, Botany, 2163
 Auckland, New Zealand
www.manfredfrank.com

KITSET D01-002B 12mm Non Glass

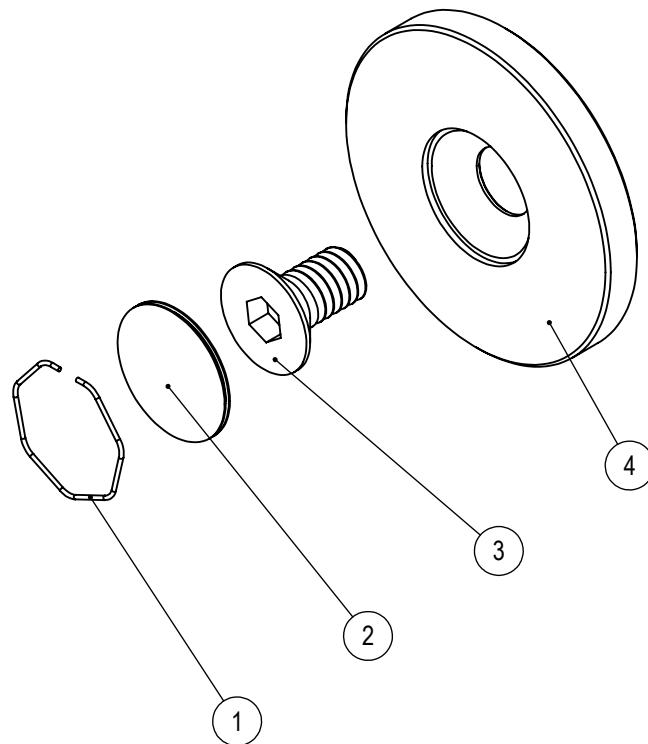


ITEM	PART NUMBER	QTY.	DESCRIPTION	SIZE	MATERIAL	NOTES
1	SC-SPCOV	1	Spring Clip	20*0.6	AISI 316 SS	Fit in Screw Cover
2	SC-COV	1	Screw Cover	20*1	AISI 316 SS	Machined Finish
3	DS10-02	1	M10 SH-CSK Special	18mm	AISI 316 SS	Machined Flat
4	CP-03	1	Clamping Plate Flat	50*5.9	AISI 316 SS	Machined Finish

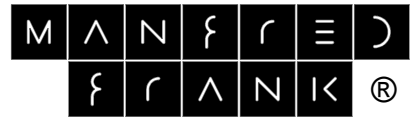


Manfred Frank Systems Limited
 PO. Box 259239, Botany, 2163
 Auckland, New Zealand
 www.manfredfrank.com

KITSET D01-002B-P 12mm Non Glass

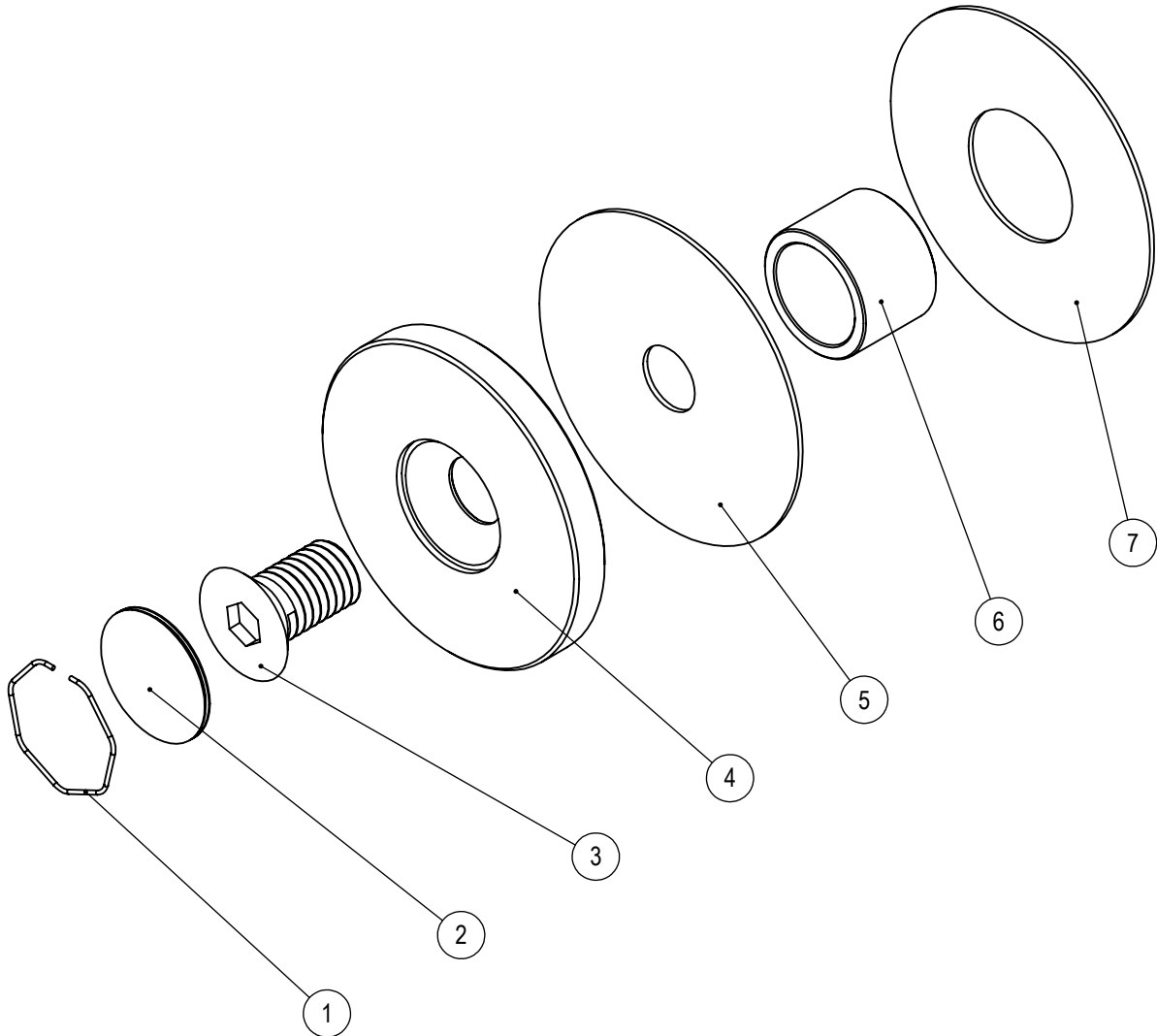


ITEM	PART NUMBER	QTY.	DESCRIPTION	SIZE	MATERIAL	NOTES
1	SC-SPCOV	1	Spring Clip	20*0.6	AISI 316 SS	Fit in Screw Cover
2	SC-COV	1	Screw Cover	20*1	AISI 316 SS	Machined Finish
3	DS08-01	1	M8 SH-CSK Special	16mm	AISI 316 SS	Machined Face
4	CP-03	1	Clamping Plate Flat	50*5.9	AISI 316 SS	Machined Finish

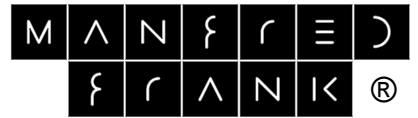


Manfred Frank Systems Limited
 PO. Box 259239, Botany, 2163
 Auckland, New Zealand
 www.manfredfrank.com

KITSET D01-003A 15mm Glass

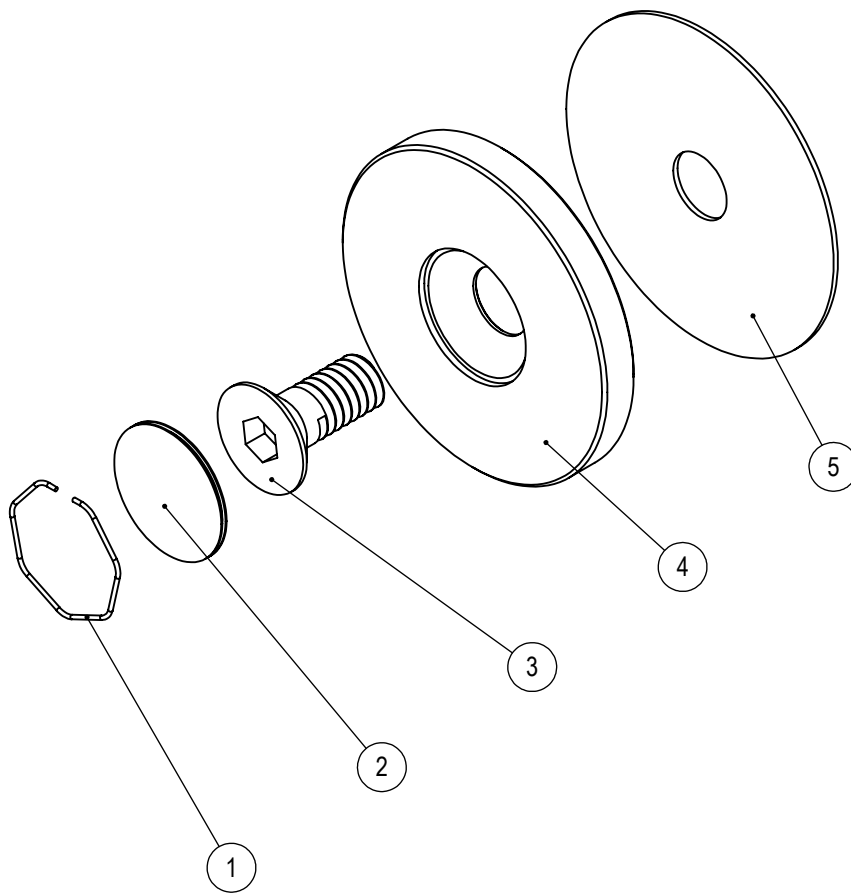


ITEM	PART NUMBER	QTY.	DESCRIPTION	SIZE	MATERIAL	NOTES
1	SC-SPCOV	1	Spring Clip	20*0.6	AISI 316 SS	Fit in Screw Cover
2	SC-COV	1	Screw Cover	20*1	AISI 316 SS	Machined Finish
3	DS10-02	1	M10 SH-CSK Special	18mm	AISI 316 SS	Machined Flat
4	CP-03	1	Clamping Plate Flat	50*5.9	AISI 316 SS	Machined Finish
5	CP-W-01	1	Washer	50*10*0.8	LDPE	Natural Translucent
6	CP-B-06	1	Bush	19.5*15.2*14	Acetal	White
7	CP-W-02	1	Washer	50*20*0.8	LDPE	Natural Translucent

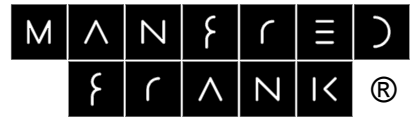


Manfred Frank Systems Limited
 PO. Box 259239, Botany, 2163
 Auckland, New Zealand
 www.manfredfrank.com

KITSET D01-003A-P 15mm Glass

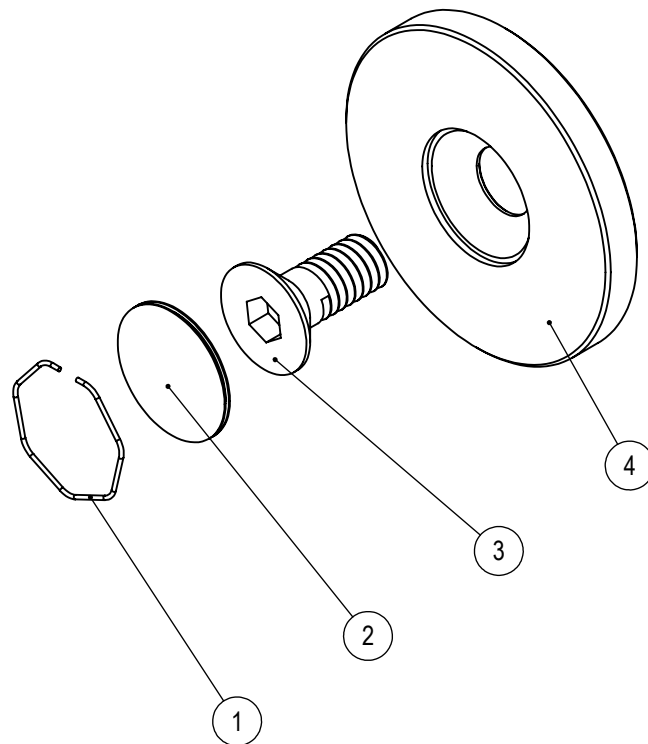


ITEM	PART NUMBER	QTY.	DESCRIPTION	SIZE	MATERIAL	NOTES
1	SC-SPCOV	1	Spring Clip	20*0.6	AISI 316 SS	Fit in Screw Cover
2	SC-COV	1	Screw Cover	20*1	AISI 316 SS	Machined Finish
3	DS08-02	1	M8 SH-CSK Special	20mm	AISI 316 SS	Machined Face
4	CP-03	1	Clamping Plate Flat	50*5.9	AISI 316 SS	Machined Finish
5	CP-W-01	1	Washer	50*10*0.8	LDPE	Natural Transluscent



Manfred Frank Systems Limited
 PO. Box 259239, Botany, 2163
 Auckland, New Zealand
 www.manfredfrank.com

KITSET D01-003B-P 15mm Non Glass

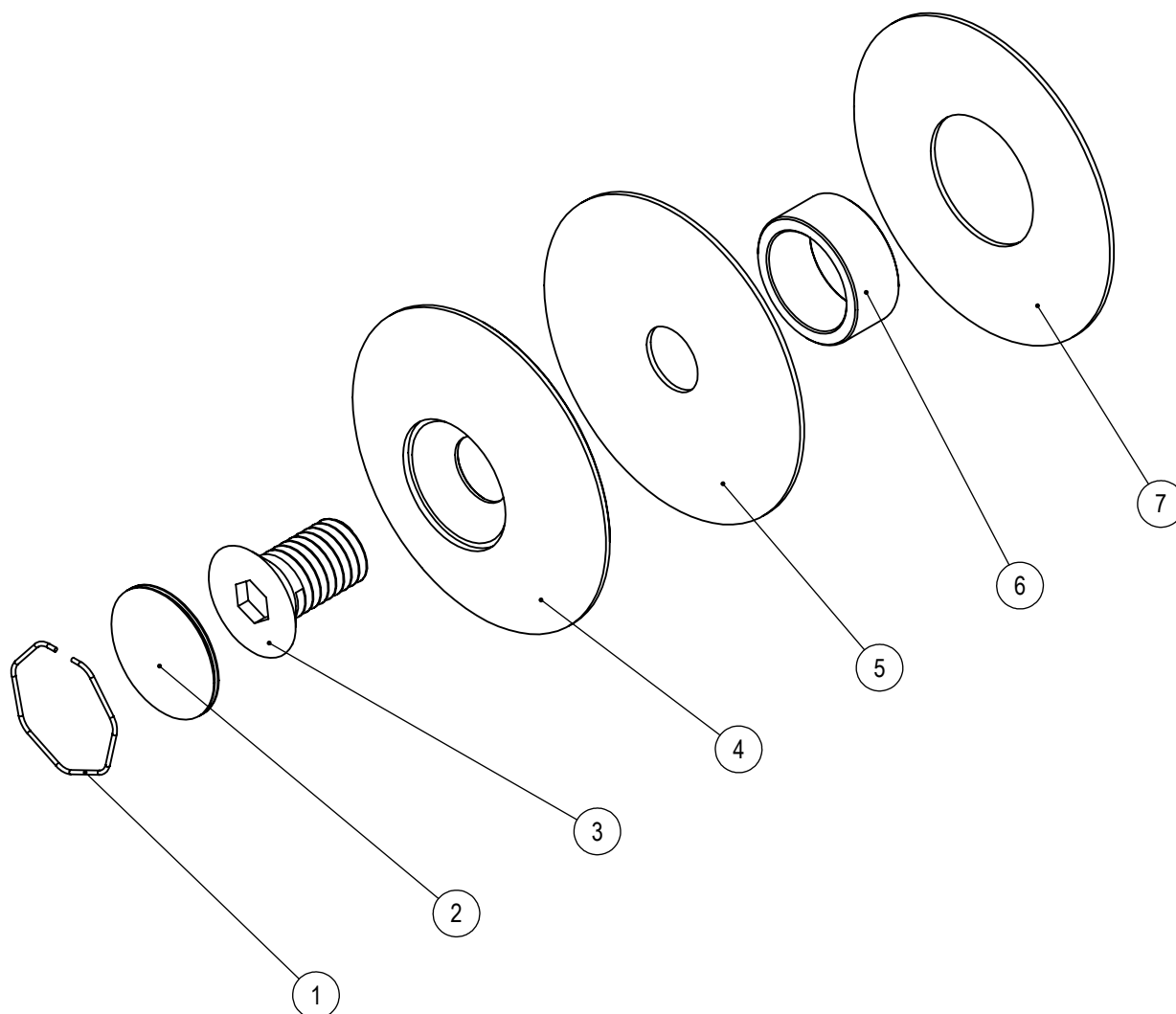


ITEM	PART NUMBER	QTY.	DESCRIPTION	SIZE	MATERIAL	NOTES
1	SC-SPCOV	1	Spring Clip	20*0.6	AISI 316 SS	Fit in Screw Cover
2	SC-COV	1	Screw Cover	20*1	AISI 316 SS	Machined Finish
3	DS08-02	1	M8 SH-CSK Special	20mm	AISI 316 SS	Machined Face
4	CP-03	1	Clamping Plate Flat	50*5.9	AISI 316 SS	Machined Finish

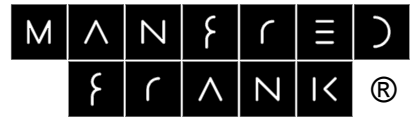


Manfred Frank Systems Limited
 PO. Box 259239, Botany, 2163
 Auckland, New Zealand
 www.manfredfrank.com

KITSET D01-011A 10mm Glass

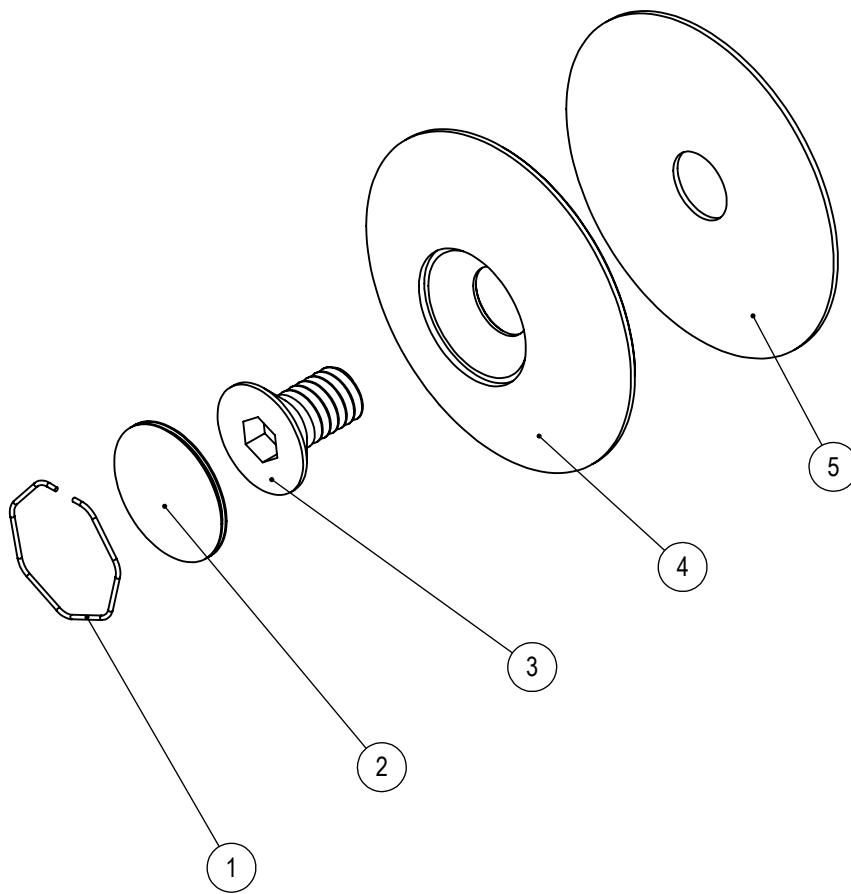


ITEM	PART NUMBER	QTY.	DESCRIPTION	SIZE	MATERIAL	NOTES
1	SC-SPCOV	1	Spring Clip	20*0.6	AISI 316 SS	Fit in Screw Cover
2	SC-COV	1	Screw Cover	20*1	AISI 316 SS	Machined Finish
3	DS10-02	1	M10 SH-CSK Special	18mm	AISI 316 SS	Machined Flat
4	CP-04	1	Clamping Plate Radiused	50*5.9	AISI 316 SS	Machined Finish
5	CP-W-01	1	Washer	50*10*0.8	LDPE	Natural Transluscent
6	CP-B-02	1	Bush	19.5*15.2*8.5	Acetal	White
7	CP-W-02	1	Washer	50*20*0.8	LDPE	Natural Transluscent

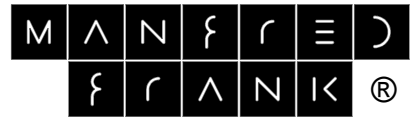


Manfred Frank Systems Limited
 PO. Box 259239, Botany, 2163
 Auckland, New Zealand
www.manfredfrank.com

KITSET D01-011A-P 10mm Glass

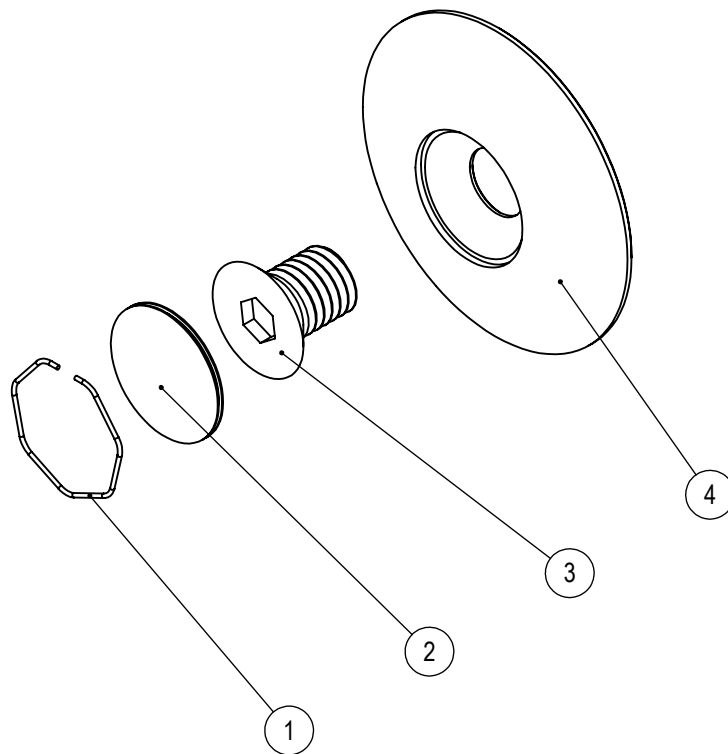


ITEM	PART NUMBER	QTY.	DESCRIPTION	SIZE	MATERIAL	NOTES
1	SC-SPCOV	1	Spring Clip	20*0.6	AISI 316 SS	Fit in Screw Cover
2	SC-COV	1	Screw Cover	20*1	AISI 316 SS	Machined Finish
3	DS08-01	1	M8 SH-CSK Special	16mm	AISI 316 SS	Machined Face
4	CP-04	1	Clamping Plate Radiused	50*5.9	AISI 316 SS	Machined Finish
5	CP-W-01	1	Washer	50*10*0.8	LDPE	Natural Transluscent

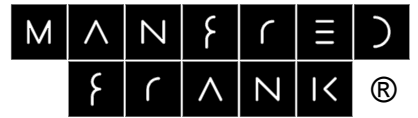


Manfred Frank Systems Limited
 PO. Box 259239, Botany, 2163
 Auckland, New Zealand
 www.manfredfrank.com

KITSET D01-011B 10mm Non Glass

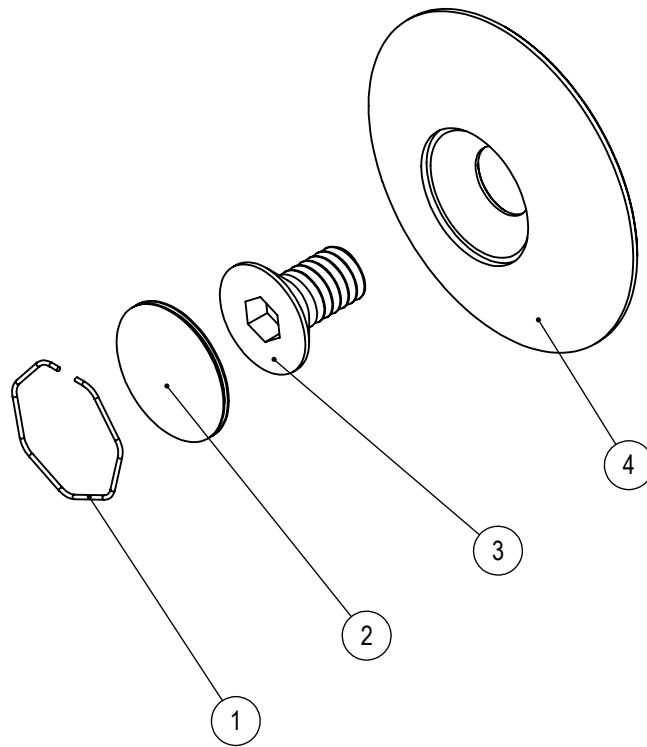


ITEM	PART NUMBER	QTY.	DESCRIPTION	SIZE	MATERIAL	NOTES
1	SC-SPCOV	1	Spring Clip	20*0.6	AISI 316 SS	Fit in Screw Cover
2	SC-COV	1	Screw Cover	20*1	AISI 316 SS	Machined Finish
3	DS10-01	1	M10 SH-CSK Special	14mm	AISI 316 SS	Machined Face
4	CP-04	1	Clamping Plate Radiused	50*5.9	AISI 316 SS	Machined Finish

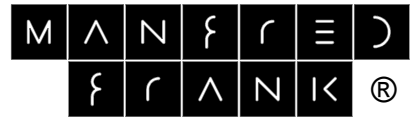


Manfred Frank Systems Limited
 PO. Box 259239, Botany, 2163
 Auckland, New Zealand
www.manfredfrank.com

KITSET D01-011B-P 10mm Non Glass

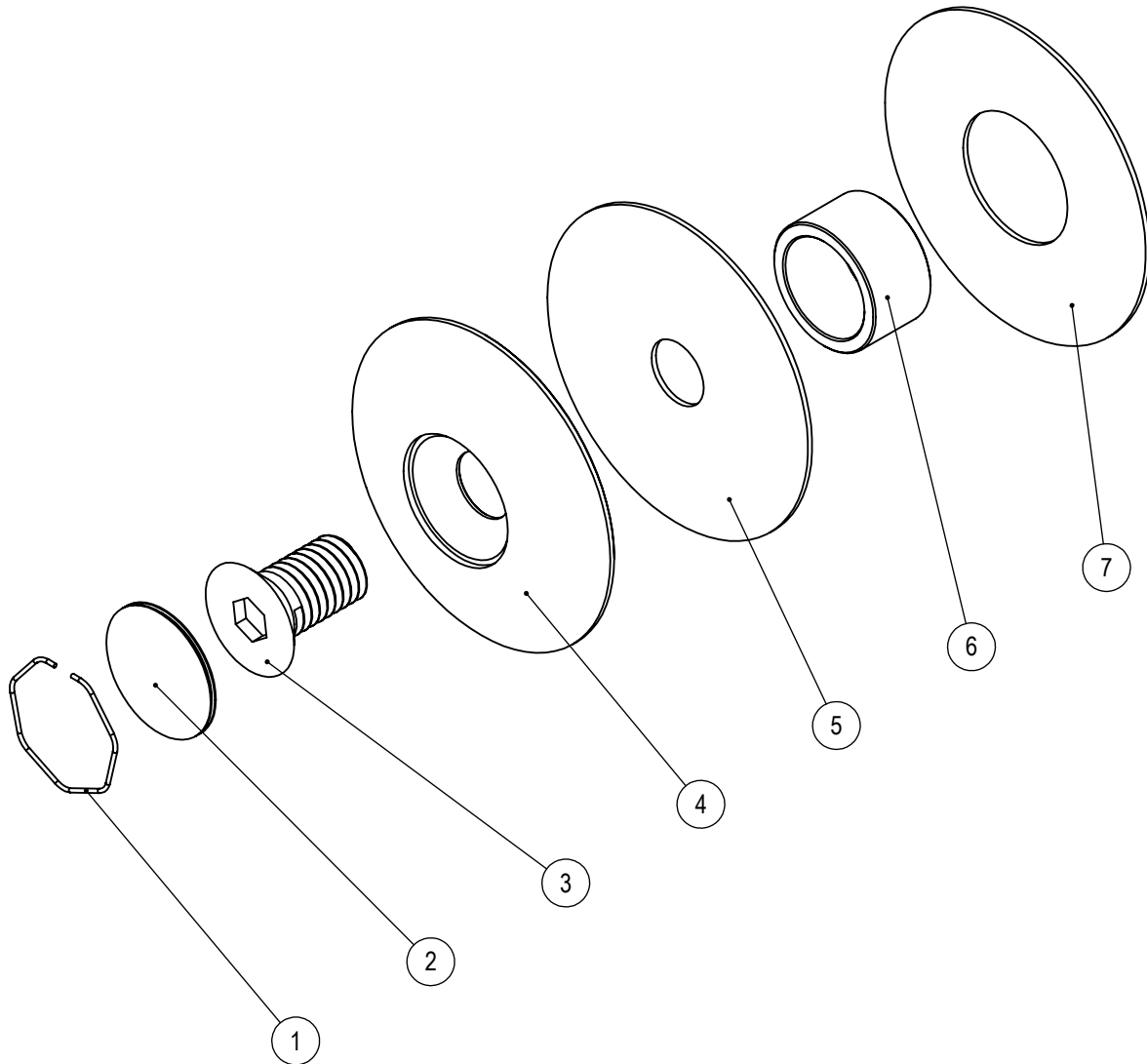


ITEM	PART NUMBER	QTY.	DESCRIPTION	SIZE	MATERIAL	NOTES
1	SC-SPCOV	1	Spring Clip	20*0.6	AISI 316 SS	Fit in Screw Cover
2	SC-COV	1	Screw Cover	20*1	AISI 316 SS	Machined Finish
3	DS08-01	1	M8 SH-CSK Special	16mm	AISI 316 SS	Machined Face
4	CP-04	1	Clamping Plate Radiused	50*5.9	AISI 316 SS	Machined Finish

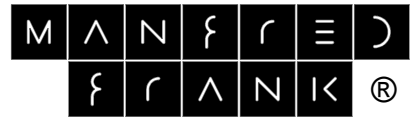


Manfred Frank Systems Limited
 PO. Box 259239, Botany, 2163
 Auckland, New Zealand
 www.manfredfrank.com

KITSET D01-012A 12mm Glass

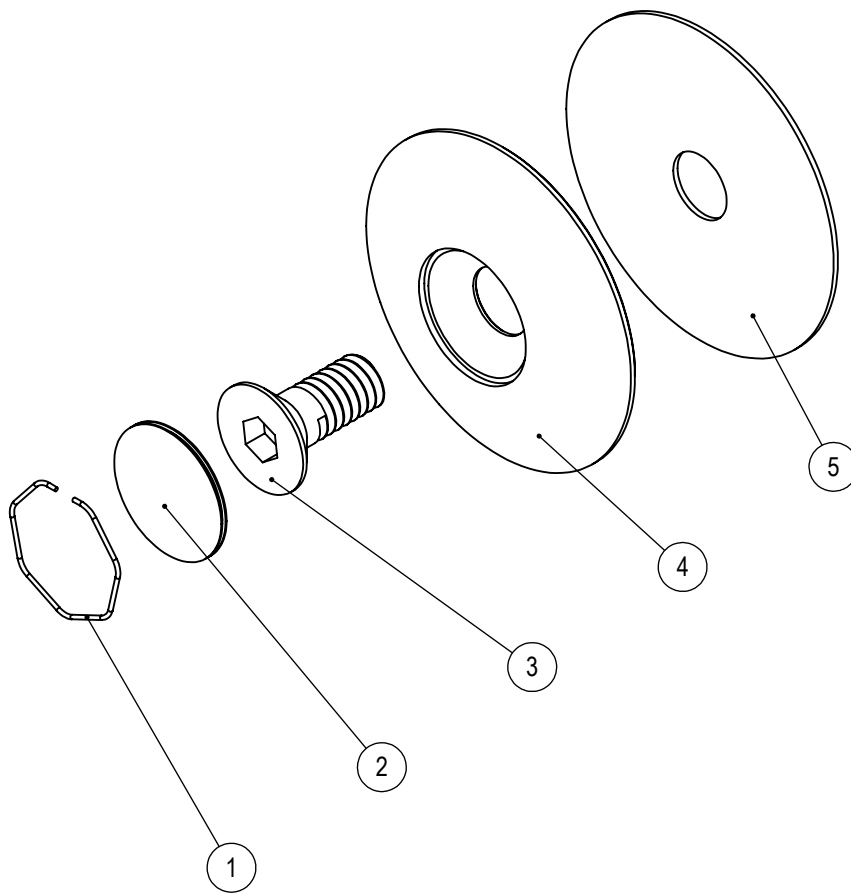


ITEM	PART NUMBER	QTY.	DESCRIPTION	SIZE	MATERIAL	NOTES
1	SC-SPCOV	1	Spring Clip	20*0.6	AISI 316 SS	Fit in Screw Cover
2	SC-COV	1	Screw Cover	20*1	AISI 316 SS	Machined Finish
3	DS10-02	1	M10 SH-CSK Special	18mm	AISI 316 SS	Machined Flat
4	CP-04	1	Clamping Plate Radiused	50*5.9	AISI 316 SS	Machined Finish
5	CP-W-01	1	Washer	50*10*0.8	LDPE	Natural Translucent
6	CP-B-04	1	Bush	19.5*15.2*11	Acetal	White
7	CP-W-02	1	Washer	50*20*0.8	LDPE	Natural Translucent

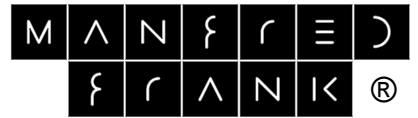


Manfred Frank Systems Limited
 PO. Box 259239, Botany, 2163
 Auckland, New Zealand
 www.manfredfrank.com

KITSET D01-012A-P 12mm Glass

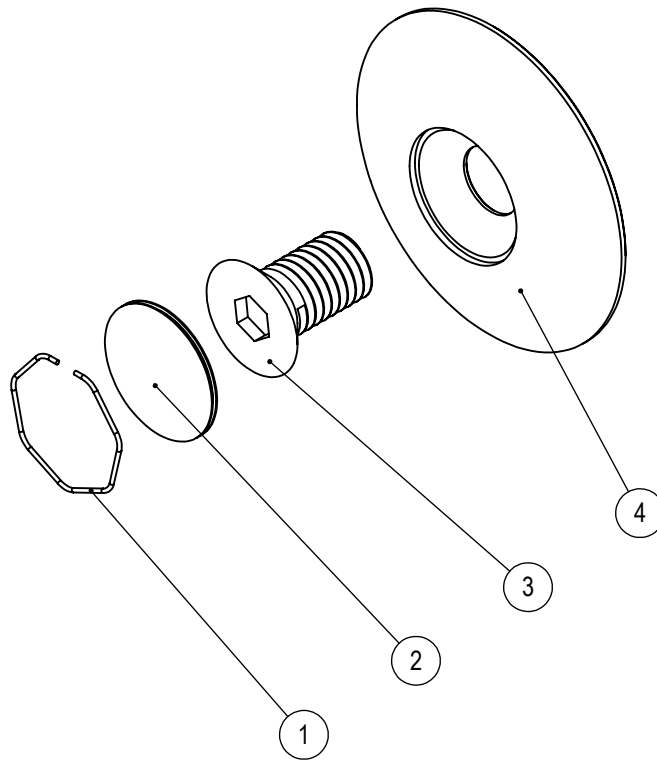


ITEM	PART NUMBER	QTY.	DESCRIPTION	SIZE	MATERIAL	NOTES
1	SC-SPCOV	1	Spring Clip	20*0.6	AISI 316 SS	Fit in Screw Cover
2	SC-COV	1	Screw Cover	20*1	AISI 316 SS	Machined Finish
3	DS08-02	1	M8 SH-CSK Special	20mm	AISI 316 SS	Machined Face
4	CP-04	1	Clamping Plate Radiused	50*5.9	AISI 316 SS	Machined Finish
5	CP-W-01	1	Washer	50*10*0.8	LDPE	Natural Transluscent

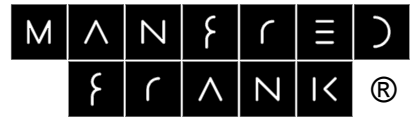


Manfred Frank Systems Limited
 PO. Box 259239, Botany, 2163
 Auckland, New Zealand
www.manfredfrank.com

KITSET D01-012B 12mm Non Glass

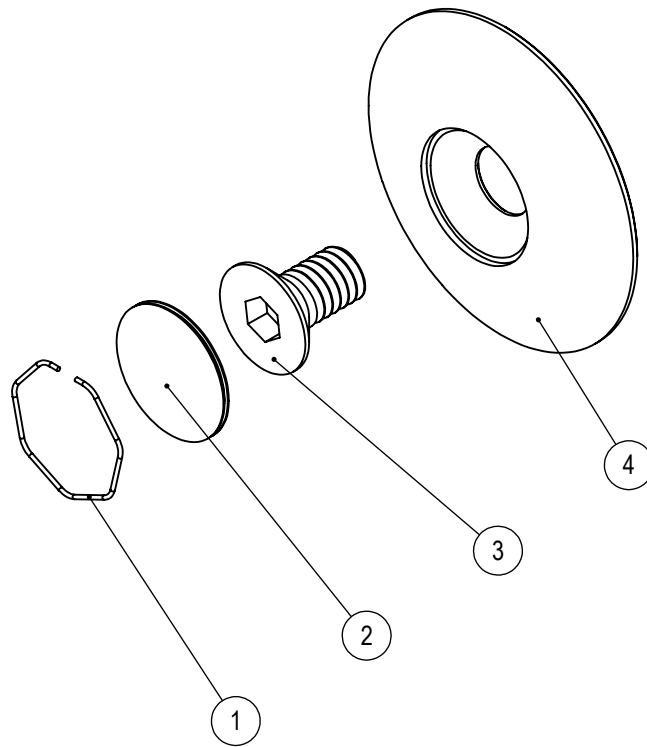


ITEM	PART NUMBER	QTY.	DESCRIPTION	SIZE	MATERIAL	NOTES
1	SC-SPCOV	1	Spring Clip	20*0.6	AISI 316 SS	Fit in Screw Cover
2	SC-COV	1	Screw Cover	20*1	AISI 316 SS	Machined Finish
3	DS10-02	1	M10 SH-CSK Special	18mm	AISI 316 SS	Machined Flat
4	CP-04	1	Clamping Plate Radiused	50*5.9	AISI 316 SS	Machined Finish

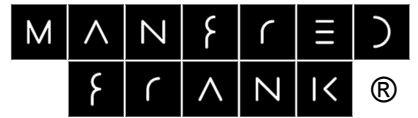


Manfred Frank Systems Limited
 PO. Box 259239, Botany, 2163
 Auckland, New Zealand
 www.manfredfrank.com

KITSET D01-012B-P 12mm Non Glass

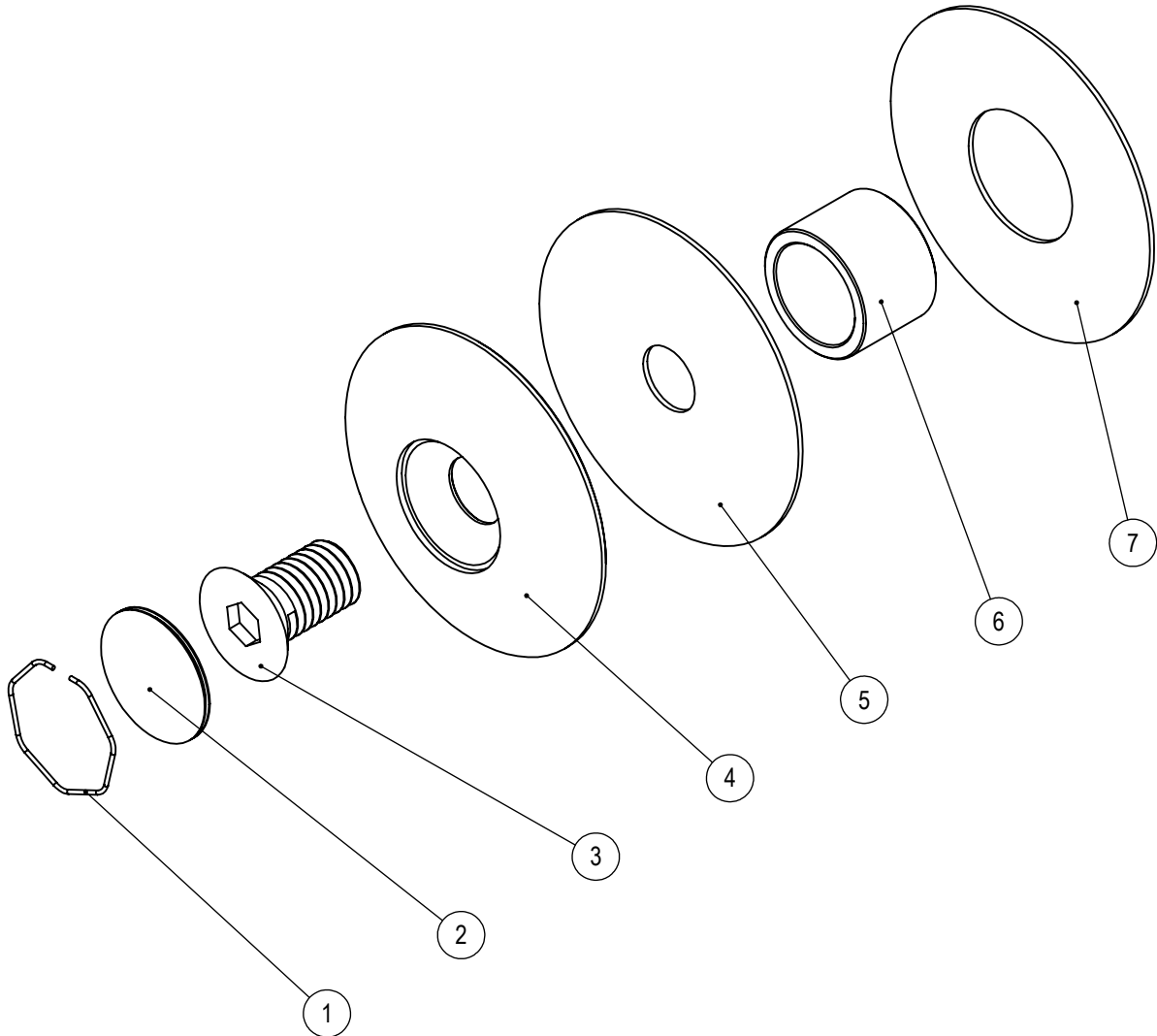


ITEM	PART NUMBER	QTY.	DESCRIPTION	SIZE	MATERIAL	NOTES
1	SC-SPCOV	1	Spring Clip	20*0.6	AISI 316 SS	Fit in Screw Cover
2	SC-COV	1	Screw Cover	20*1	AISI 316 SS	Machined Finish
3	DS08-01	1	M8 SH-CSK Special	16mm	AISI 316 SS	Machined Face
4	CP-04	1	Clamping Plate Radiused	50*5.9	AISI 316 SS	Machined Finish

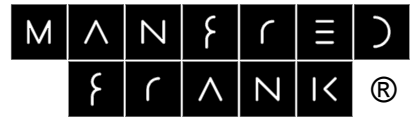


Manfred Frank Systems Limited
 PO. Box 259239, Botany, 2163
 Auckland, New Zealand
 www.manfredfrank.com

KITSET D01-013A 15mm Glass

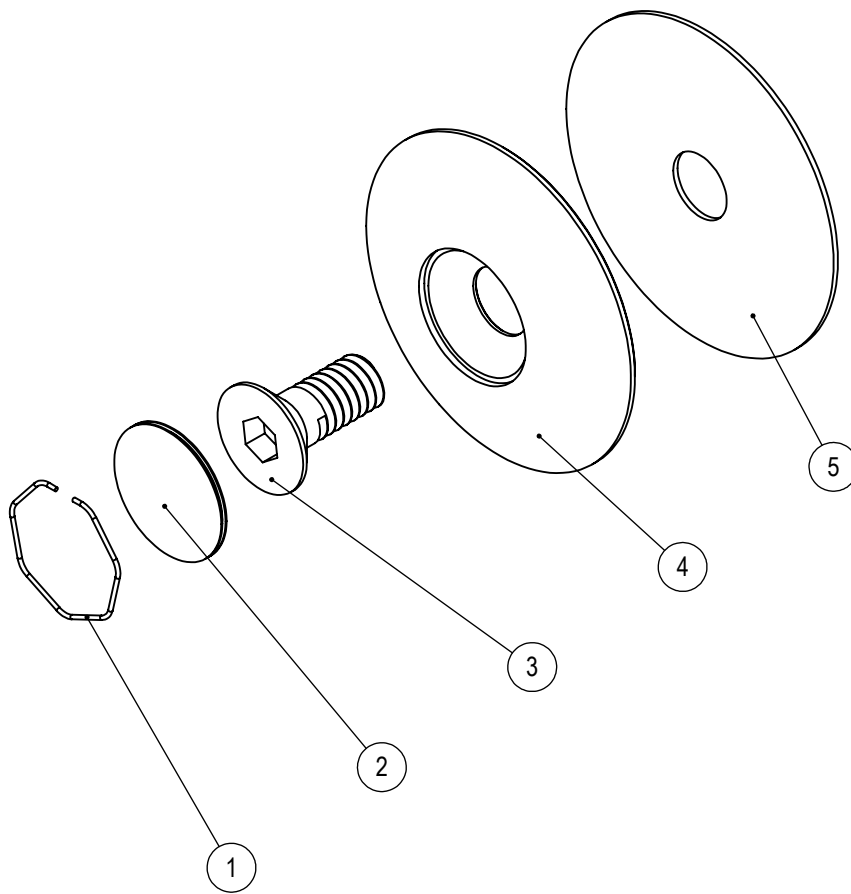


ITEM	PART NUMBER	QTY.	DESCRIPTION	SIZE	MATERIAL	NOTES
1	SC-SPCOV	1	Spring Clip	20*0.6	AISI 316 SS	Fit in Screw Cover
2	SC-COV	1	Screw Cover	20*1	AISI 316 SS	Machined Finish
3	DS10-02	1	M10 SH-CSK Special	18mm	AISI 316 SS	Machined Flat
4	CP-04	1	Clamping Plate Radiused	50*5.9	AISI 316 SS	Machined Finish
5	CP-W-01	1	Washer	50*10*0.8	LDPE	Natural Translucent
6	CP-B-06	1	Bush	19.5*15.2*14	Acetal	White
7	CP-W-02	1	Washer	50*20*0.8	LDPE	Natural Translucent

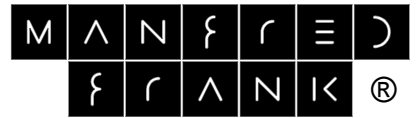


Manfred Frank Systems Limited
 PO. Box 259239, Botany, 2163
 Auckland, New Zealand
www.manfredfrank.com

KITSET D01-013A-P 15mm Glass

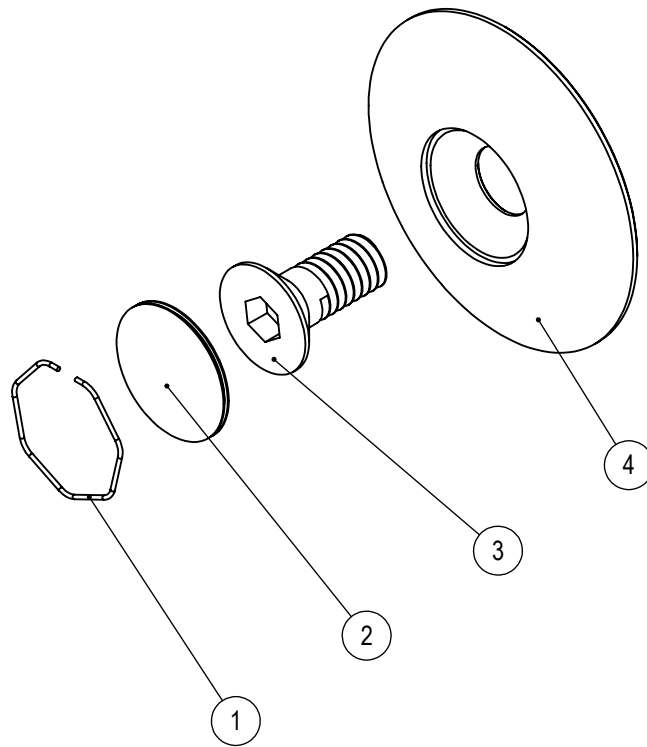


ITEM	PART NUMBER	QTY.	DESCRIPTION	SIZE	MATERIAL	NOTES
1	SC-SPCOV	1	Spring Clip	20*0.6	AISI 316 SS	Fit in Screw Cover
2	SC-COV	1	Screw Cover	20*1	AISI 316 SS	Machined Finish
3	DS08-02	1	M8 SH-CSK Special	20mm	AISI 316 SS	Machined Face
4	CP-04	1	Clamping Plate Radiused	50*5.9	AISI 316 SS	Machined Finish
5	CP-W-01	1	Washer	50*10*0.8	LDPE	Natural Transluscent

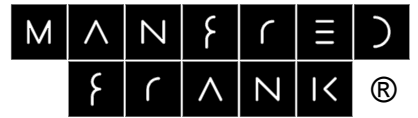


Manfred Frank Systems Limited
 PO. Box 259239, Botany, 2163
 Auckland, New Zealand
www.manfredfrank.com

KITSET D01-013B-P 15mm Non Glass

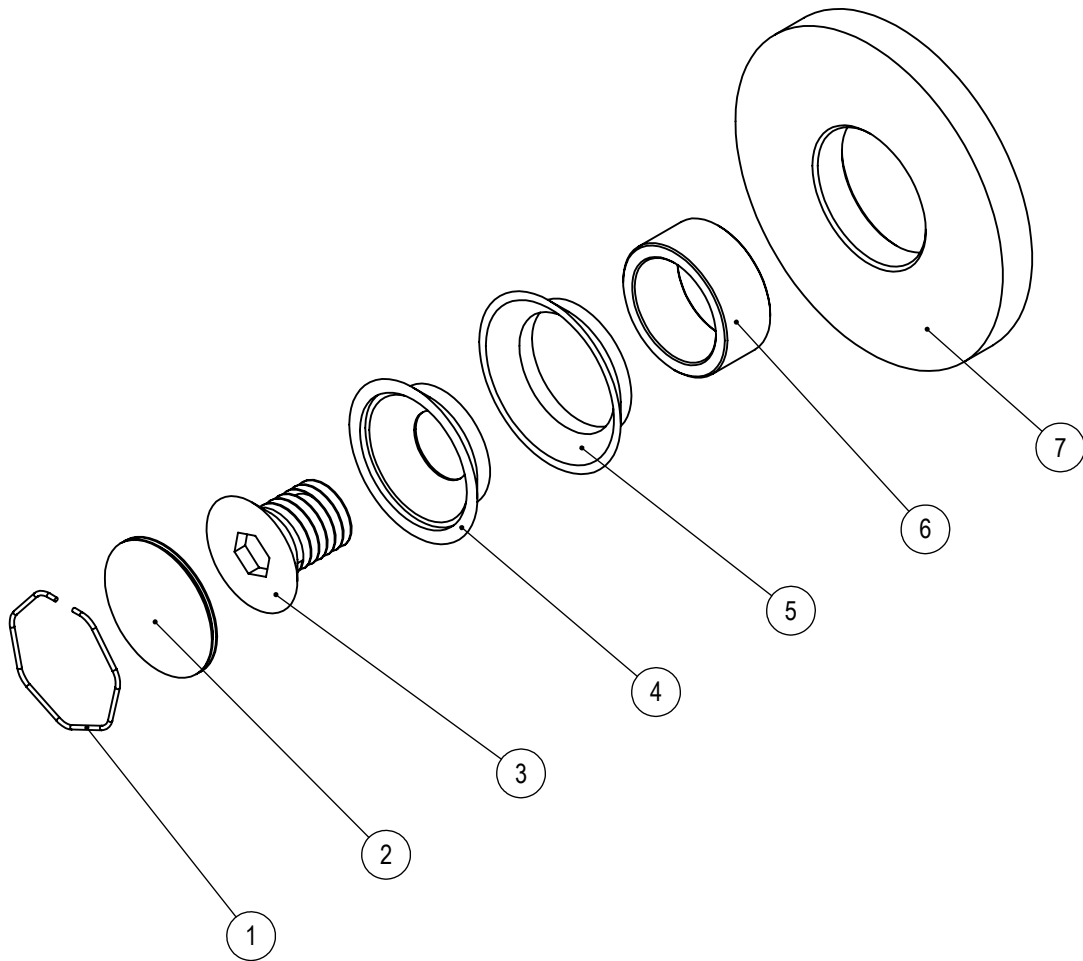


ITEM	PART NUMBER	QTY.	DESCRIPTION	SIZE	MATERIAL	NOTES
1	SC-SPCOV	1	Spring Clip	20*0.6	AISI 316 SS	Fit in Screw Cover
2	SC-COV	1	Screw Cover	20*1	AISI 316 SS	Machined Finish
3	DS08-02	1	M8 SH-CSK Special	20mm	AISI 316 SS	Machined Face
4	CP-04	1	Clamping Plate Radiused	50*5.9	AISI 316 SS	Machined Finish

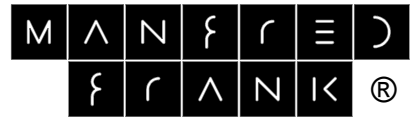


Manfred Frank Systems Limited
 PO. Box 259239, Botany, 2163
 Auckland, New Zealand
 www.manfredfrank.com

KITSET D01-031A 10mm Glass

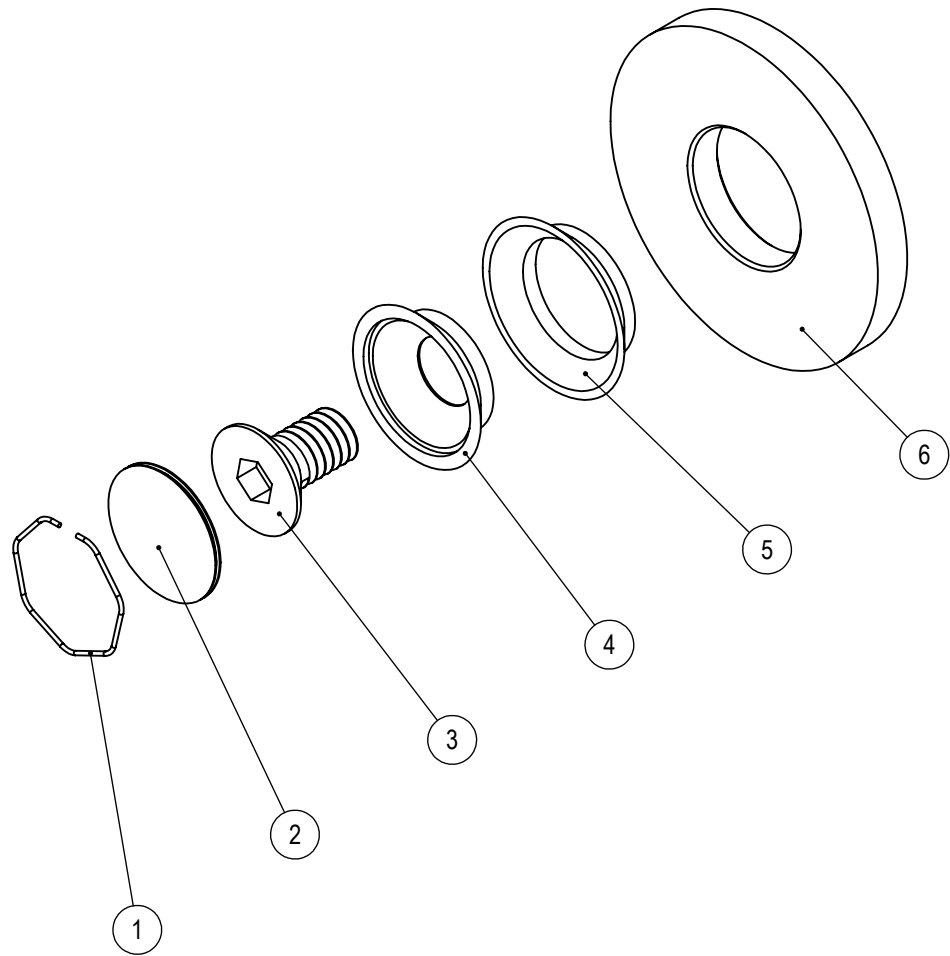


ITEM	PART NUMBER	QTY.	DESCRIPTION	SIZE	MATERIAL	NOTES
1	SC-SPCOV	1	Spring Clip	20*0.6	AISI 316 SS	Fit in Screw Cover
2	SC-COV	1	Screw Cover	20*1	AISI 316 SS	Machined Finish
3	DS10-01	1	M10 SH-CSK Special	14mm	AISI 316 SS	Machined Face
4	CSK-I-CON	1	Countersunk Insert	24*5.5	AISI 316 SS	Machined Finish
5	CSK-B-CON	1	Countersunk Bush	26.5*5.5	Acetal	Black
6	CP-B-02	1	Bush	19.5*15.2*8.5	Acetal	White
7	CP-W-04	1	Spacer	50*20.2*5.5	Acetal	Black



Manfred Frank Systems Limited
 PO. Box 259239, Botany, 2163
 Auckland, New Zealand
www.manfredfrank.com

KITSET D01-031A-P 10mm Panels (All)

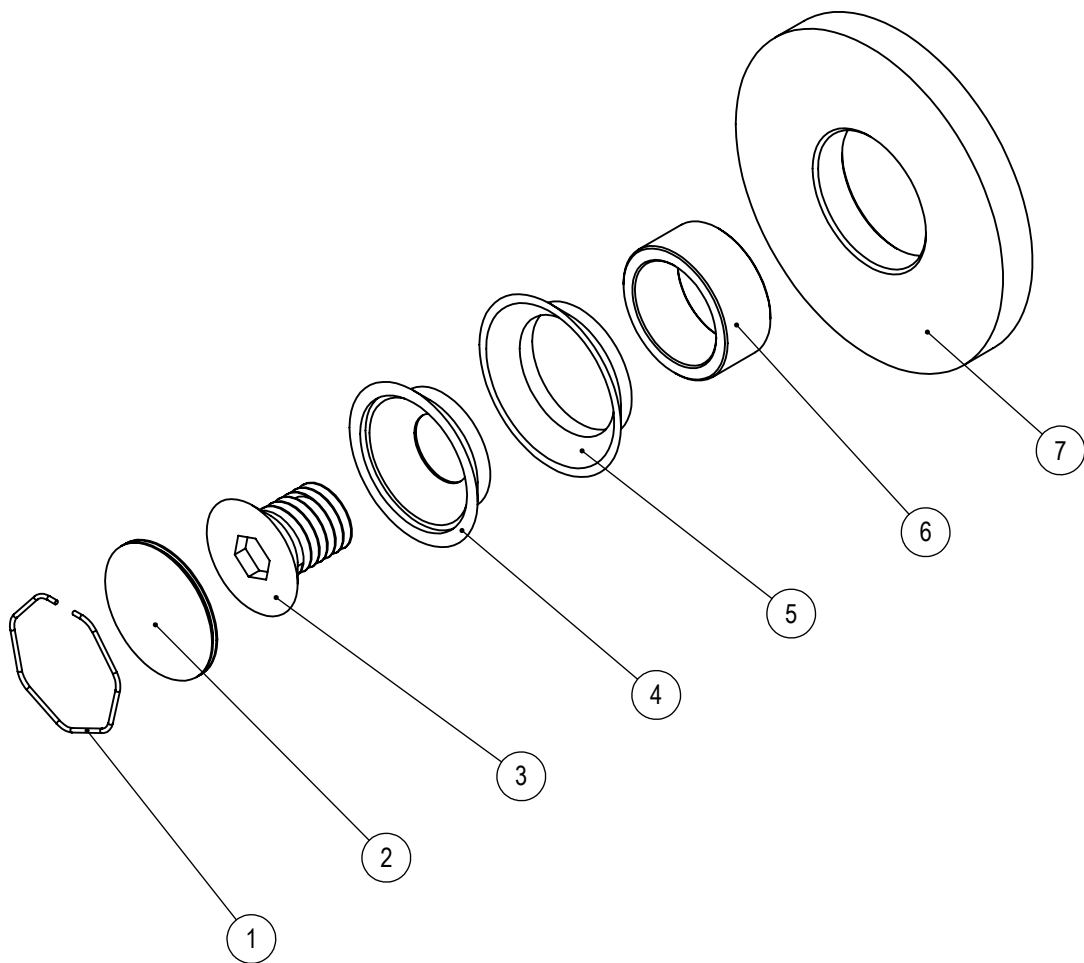


ITEM	PART NUMBER	QTY.	DESCRIPTION	SIZE	MATERIAL	NOTES
1	SC-SPCOV	1	Spring Clip	20*0.6	AISI 316 SS	Fit in Screw Cover
2	SC-COV	1	Screw Cover	20*1	AISI 316 SS	Machined Finish
3	DS08-01	1	M8 SH-CSK Special	16mm	AISI 316 SS	Machined Face
4	CSK-I-CON	1	Countersunk Insert	24*5.5	AISI 316 SS	Machined Finish
5	CSK-B-CON	1	Countersunk Bush	26.5*5.5	Acetal	Black
6	CP-W-04	1	Spacer	50*20.2*5.5	Acetal	Black

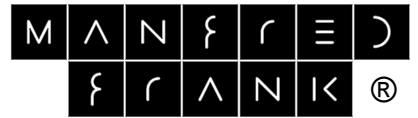


Manfred Frank Systems Limited
 PO. Box 259239, Botany, 2163
 Auckland, New Zealand
www.manfredfrank.com

KITSET D01-031B 10mm Non Glass

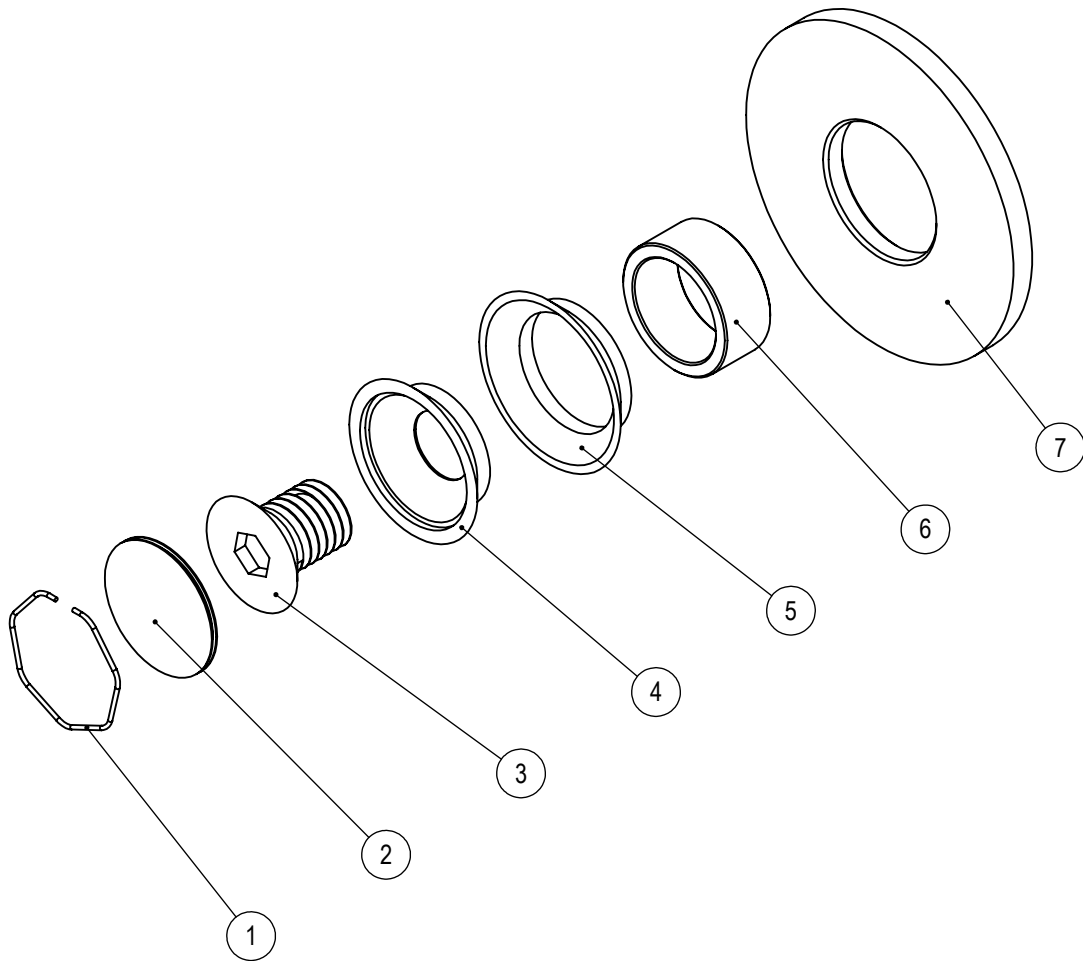


ITEM	PART NUMBER	QTY.	DESCRIPTION	SIZE	MATERIAL	NOTES
1	SC-SPCOV	1	Spring Clip	20*0.6	AISI 316 SS	Fit in Screw Cover
2	SC-COV	1	Screw Cover	20*1	AISI 316 SS	Machined Finish
3	DS10-01	1	M10 SH-CSK Special	14mm	AISI 316 SS	Machined Face
4	CSK-I-CON	1	Countersunk Insert	24*5.5	AISI 316 SS	Machined Finish
5	CSK-B-CON	1	Countersunk Bush	26.5*5.5	Acetal	Black
6	CP-B-02	1	Bush	19.5*15.2*8.5	Acetal	White
7	CP-W-04	1	Spacer	50*20.2*5.5	Acetal	Black

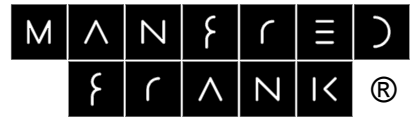


Manfred Frank Systems Limited
 PO. Box 259239, Botany, 2163
 Auckland, New Zealand
www.manfredfrank.com

KITSET D01-032A 12mm Glass

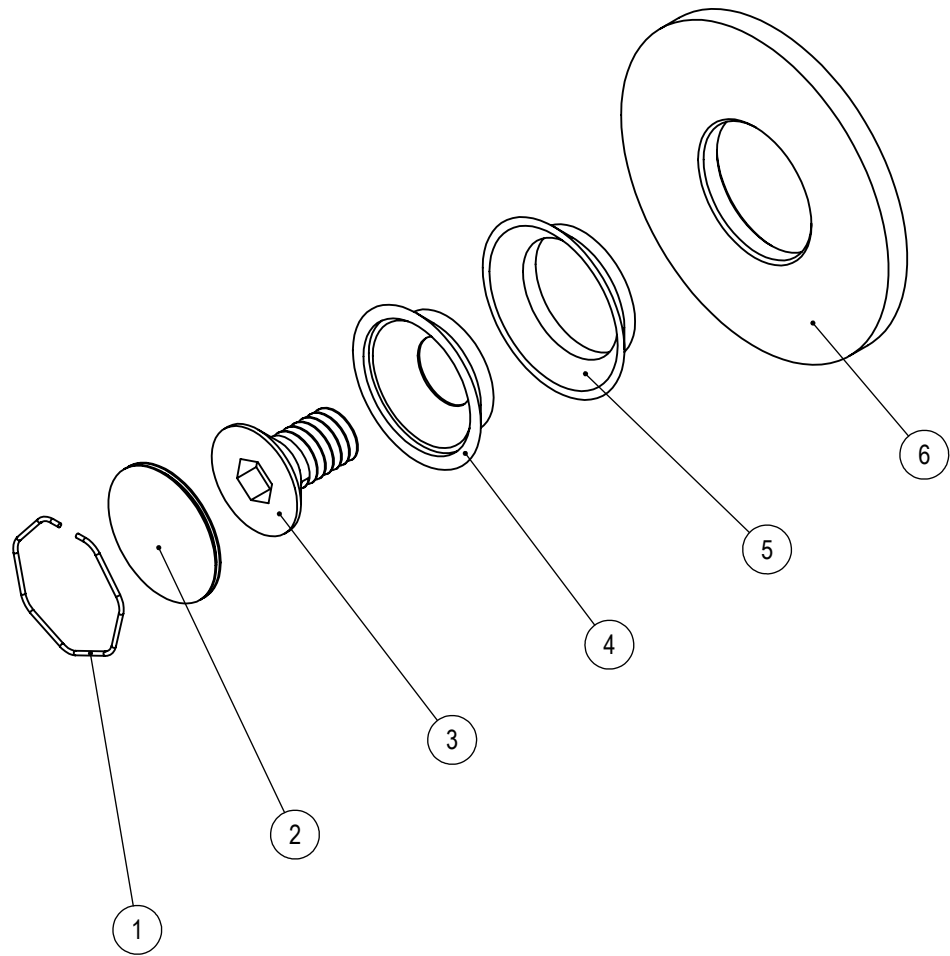


ITEM	PART NUMBER	QTY.	DESCRIPTION	SIZE	MATERIAL	NOTES
1	SC-SPCOV	1	Spring Clip	20*0.6	AISI 316 SS	Fit in Screw Cover
2	SC-COV	1	Screw Cover	20*1	AISI 316 SS	Machined Finish
3	DS10-01	1	M10 SH-CSK Special	14mm	AISI 316 SS	Machined Face
4	CSK-I-CON	1	Countersunk Insert	24*5.5	AISI 316 SS	Machined Finish
5	CSK-B-CON	1	Countersunk Bush	26.5*5.5	Acetal	Black
6	CP-B-02	1	Bush	19.5*15.2*8.5	Acetal	White
7	CSK-W-05	1	Spacer	50*20.2*3.5	Acetal	Black



Manfred Frank Systems Limited
 PO. Box 259239, Botany, 2163
 Auckland, New Zealand
www.manfredfrank.com

KITSET D01-032A-P 12mm Panels (All)

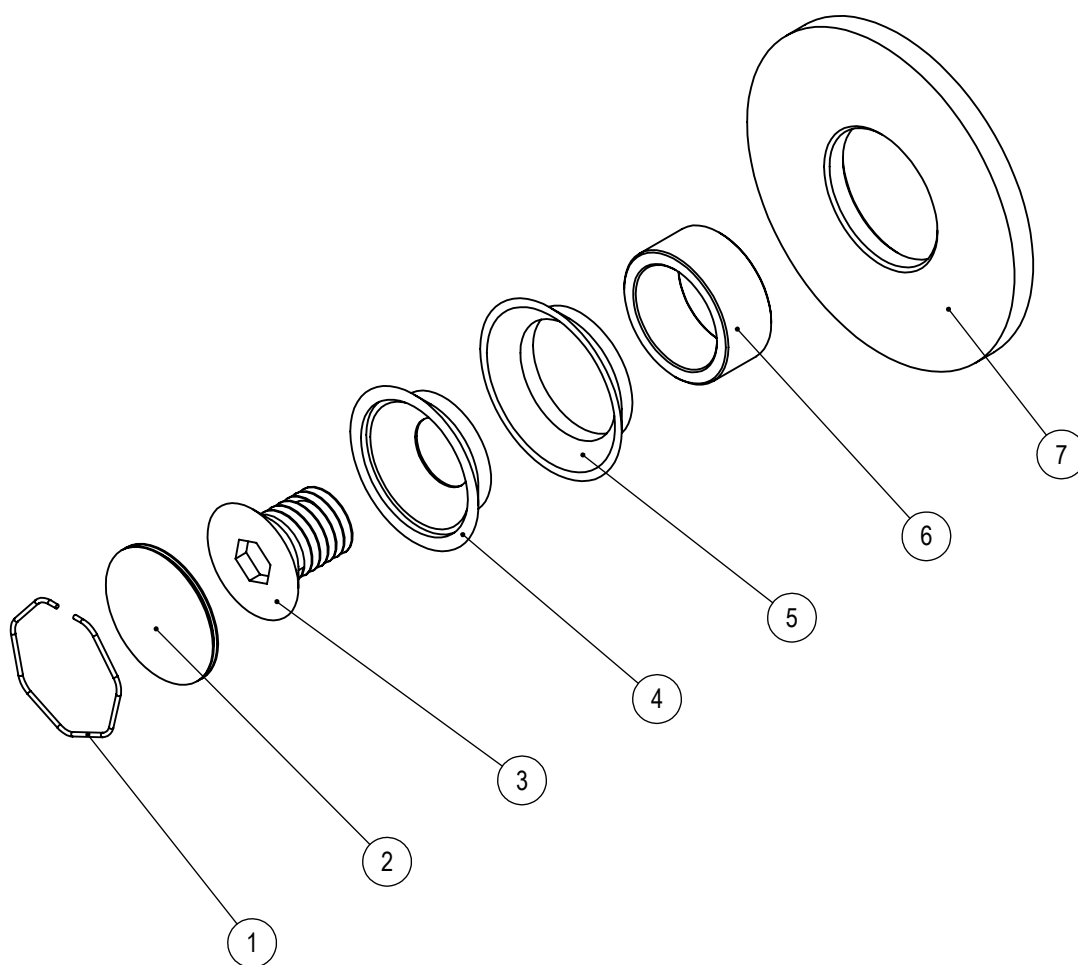


ITEM	PART NUMBER	QTY.	DESCRIPTION	SIZE	MATERIAL	NOTES
1	SC-SPCOV	1	Spring Clip	20*0.6	AISI 316 SS	Fit in Screw Cover
2	SC-COV	1	Screw Cover	20*1	AISI 316 SS	Machined Finish
3	DS08-01	1	M8 SH-CSK Special	16mm	AISI 316 SS	Machined Face
4	CSK-I-CON	1	Countersunk Insert	24*5.5	AISI 316 SS	Machined Finish
5	CSK-B-CON	1	Countersunk Bush	26.5*5.5	Acetal	Black
6	CSK-W-05	1	Spacer	50*20.2*3.5	Acetal	Black

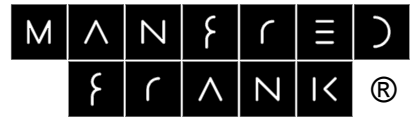


Manfred Frank Systems Limited
 PO. Box 259239, Botany, 2163
 Auckland, New Zealand
www.manfredfrank.com

KITSET D01-032B 12mm Non Glass

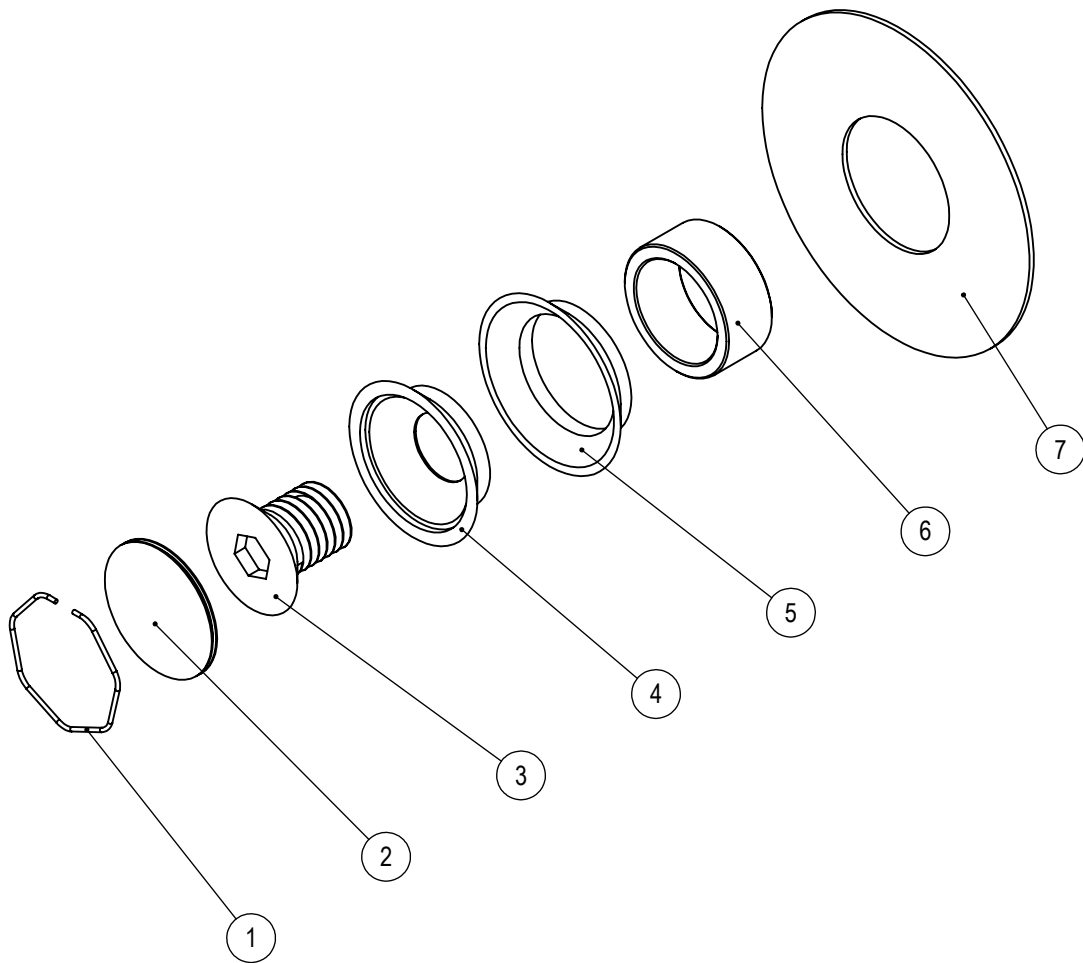


ITEM	PART NUMBER	QTY.	DESCRIPTION	SIZE	MATERIAL	NOTES
1	SC-SPCOV	1	Spring Clip	20*0.6	AISI 316 SS	Fit in Screw Cover
2	SC-COV	1	Screw Cover	20*1	AISI 316 SS	Machined Finish
3	DS10-01	1	M10 SH-CSK Special	14mm	AISI 316 SS	Machined Face
4	CSK-I-CON	1	Countersunk Insert	24*5.5	AISI 316 SS	Machined Finish
5	CSK-B-CON	1	Countersunk Bush	26.5*5.5	Acetal	Black
6	CP-B-02	1	Bush	19.5*15.2*8.5	Acetal	White
7	CSK-W-05	1	Spacer	50*20.2*3.5	Acetal	Black

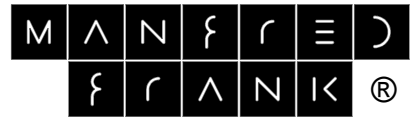


Manfred Frank Systems Limited
 PO. Box 259239, Botany, 2163
 Auckland, New Zealand
www.manfredfrank.com

KITSET D01-033A 15mm Glass

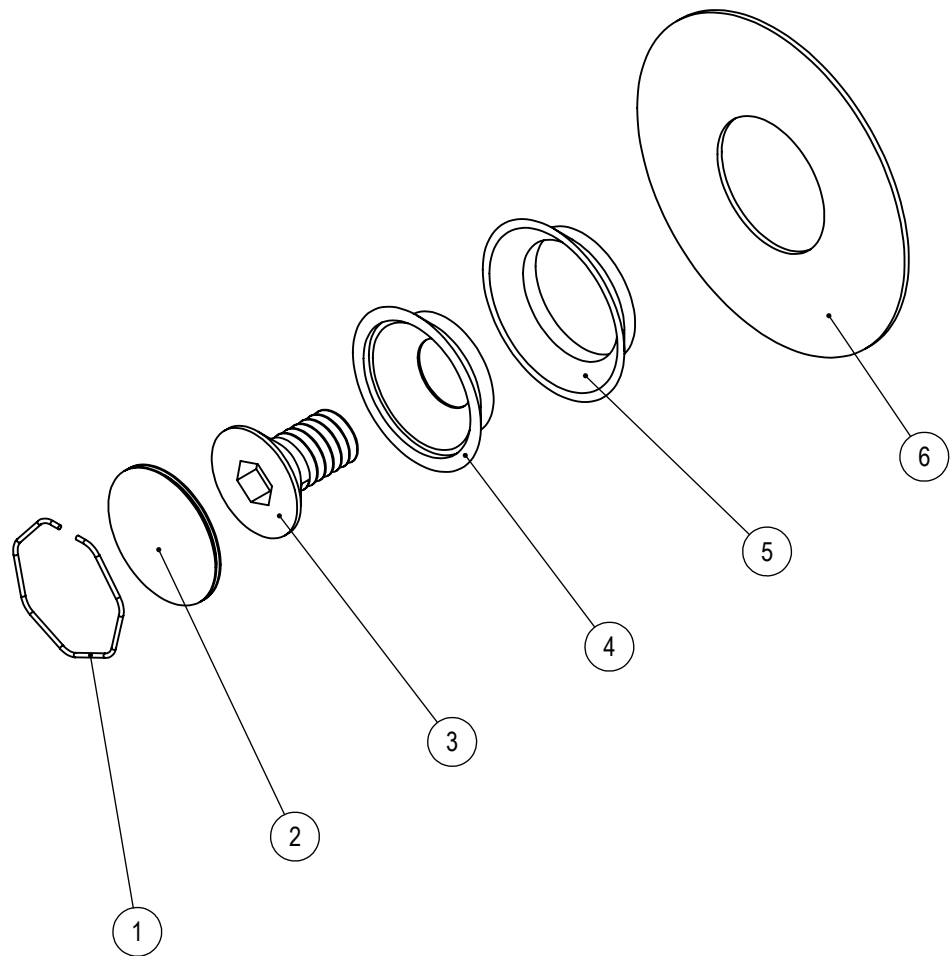


ITEM	PART NUMBER	QTY.	DESCRIPTION	SIZE	MATERIAL	NOTES
1	SC-SPCOV	1	Spring Clip	20*0.6	AISI 316 SS	Fit in Screw Cover
2	SC-COV	1	Screw Cover	20*1	AISI 316 SS	Machined Finish
3	DS10-01	1	M10 SH-CSK Special	14mm	AISI 316 SS	Machined Face
4	CSK-I-CON	1	Countersunk Insert	24*5.5	AISI 316 SS	Machined Finish
5	CSK-B-CON	1	Countersunk Bush	26.5*5.5	Acetal	Black
6	CP-B-02	1	Bush	19.5*15.2*8.5	Acetal	White
7	CP-W-02	1	Washer	50*20*0.8	LDPE	Natural Translucent

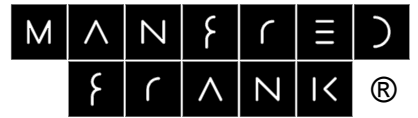


Manfred Frank Systems Limited
 PO. Box 259239, Botany, 2163
 Auckland, New Zealand
 www.manfredfrank.com

KITSET D01-033A-P 15mm Panels (All)

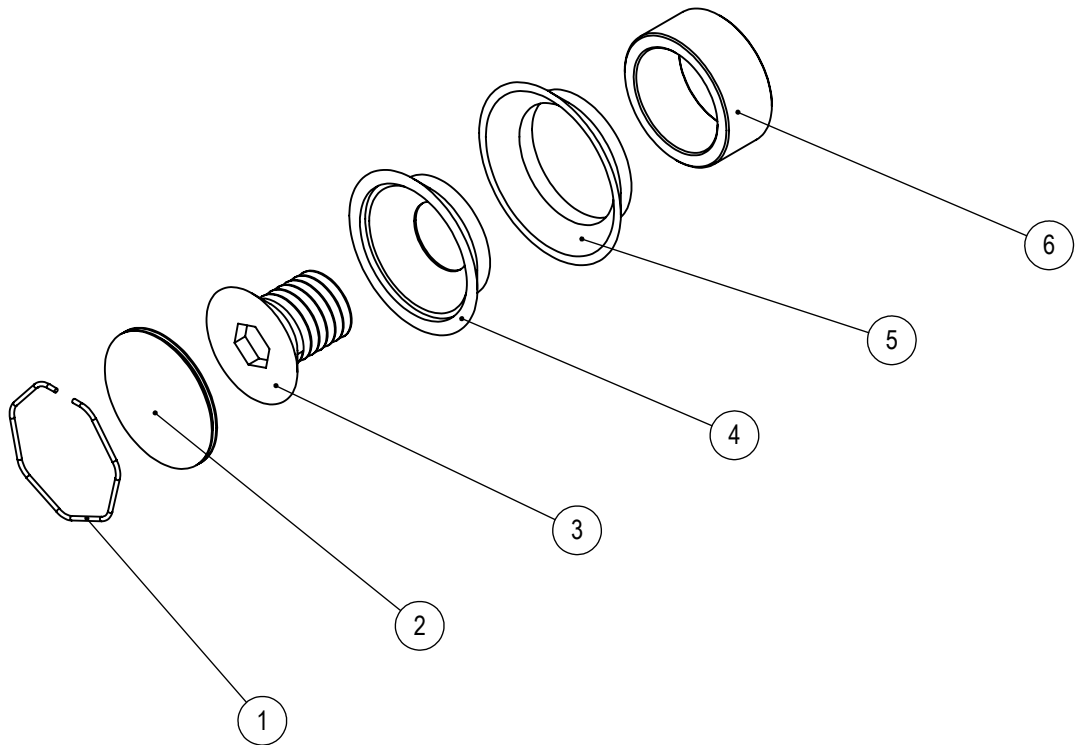


ITEM	PART NUMBER	QTY.	DESCRIPTION	SIZE	MATERIAL	NOTES
1	SC-SPCOV	1	Spring Clip	20*0.6	AISI 316 SS	Fit in Screw Cover
2	SC-COV	1	Screw Cover	20*1	AISI 316 SS	Machined Finish
3	DS08-01	1	M8 SH-CSK Special	16mm	AISI 316 SS	Machined Face
4	CSK-I-CON	1	Countersunk Insert	24*5.5	AISI 316 SS	Machined Finish
5	CSK-B-CON	1	Countersunk Bush	26.5*5.5	Acetal	Black
6	CP-W-02	1	Washer	50*20*0.8	LDPE	Natural Translucent

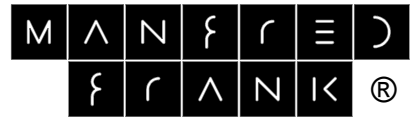


Manfred Frank Systems Limited
 PO. Box 259239, Botany, 2163
 Auckland, New Zealand
www.manfredfrank.com

KITSET D01-033B 16mm Non Glass

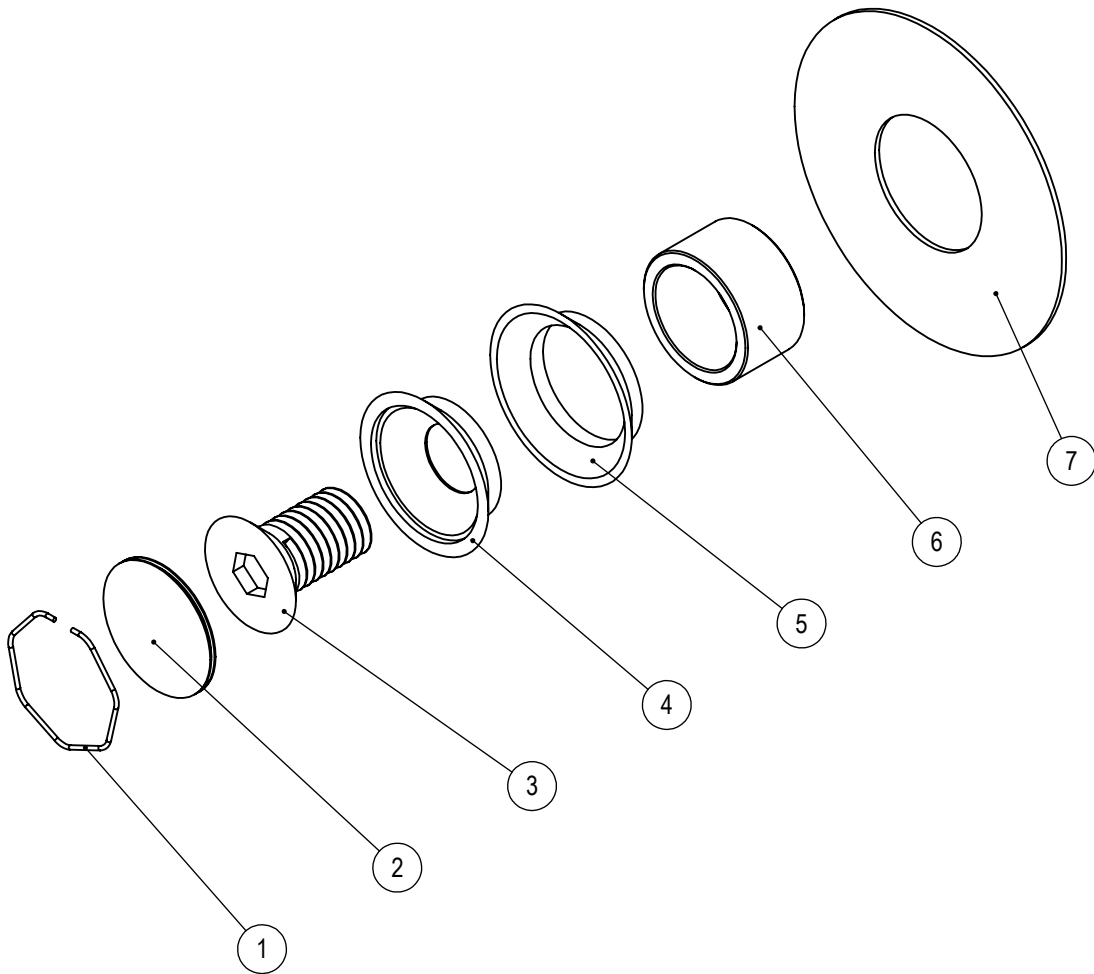


ITEM	PART NUMBER	QTY.	DESCRIPTION	SIZE	MATERIAL	NOTES
1	SC-SPCOV	1	Spring Clip	20*0.6	AISI 316 SS	Fit in Screw Cover
2	SC-COV	1	Screw Cover	20*1	AISI 316 SS	Machined Finish
3	DS10-01	1	M10 SH-CSK Special	14mm	AISI 316 SS	Machined Face
4	CSK-I-CON	1	Countersunk Insert	24*5.5	AISI 316 SS	Machined Finish
5	CSK-B-CON	1	Countersunk Bush	26.5*5.5	Acetal	Black
6	CP-B-02	1	Bush	19.5*15.2*8.5	Acetal	White

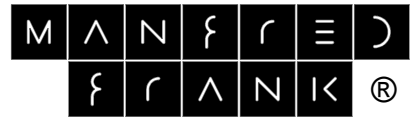


Manfred Frank Systems Limited
 PO. Box 259239, Botany, 2163
 Auckland, New Zealand
 www.manfredfrank.com

KITSET D01-034A 19mm Glass

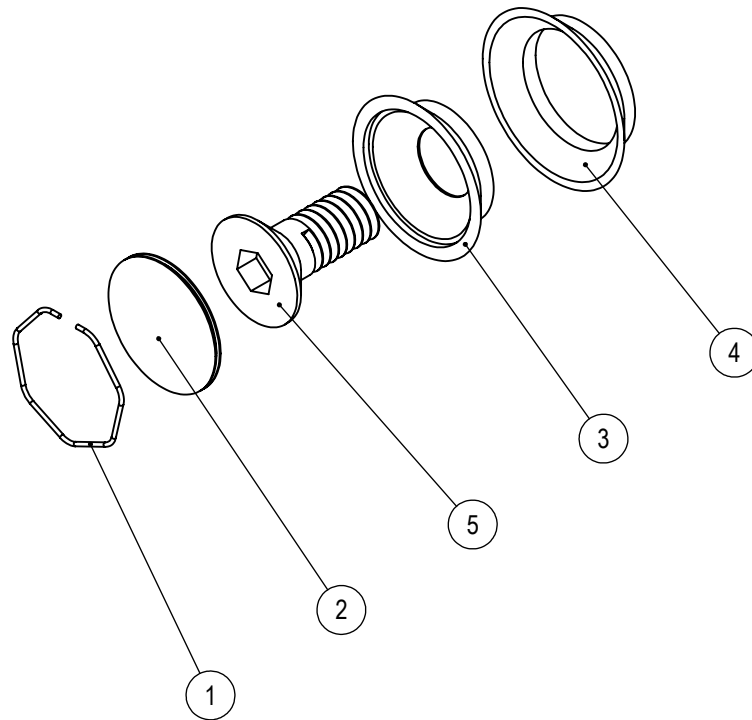


ITEM	PART NUMBER	QTY.	DESCRIPTION	SIZE	MATERIAL	NOTES
1	SC-SPCOV	1	Spring Clip	20*0.6	AISI 316 SS	Fit in Screw Cover
2	SC-COV	1	Screw Cover	20*1	AISI 316 SS	Machined Finish
3	DS10-02	1	M10 SH-CSK Special	18mm	AISI 316 SS	Machined Flat
4	CSK-I-CON	1	Countersunk Insert	24*5.5	AISI 316 SS	Machined Finish
5	CSK-B-CON	1	Countersunk Bush	26.5*5.5	Acetal	Black
6	CP-B-04	1	Bush	19.5*15.2*11	Acetal	White
7	CP-W-02	1	Washer	50*20*0.8	LDPE	Natural Translucent

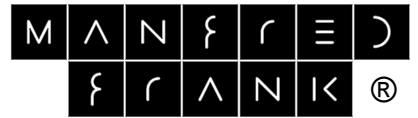


Manfred Frank Systems Limited
 PO. Box 259239, Botany, 2163
 Auckland, New Zealand
 www.manfredfrank.com

KITSET D01-034A-P 19mm Panels (All)

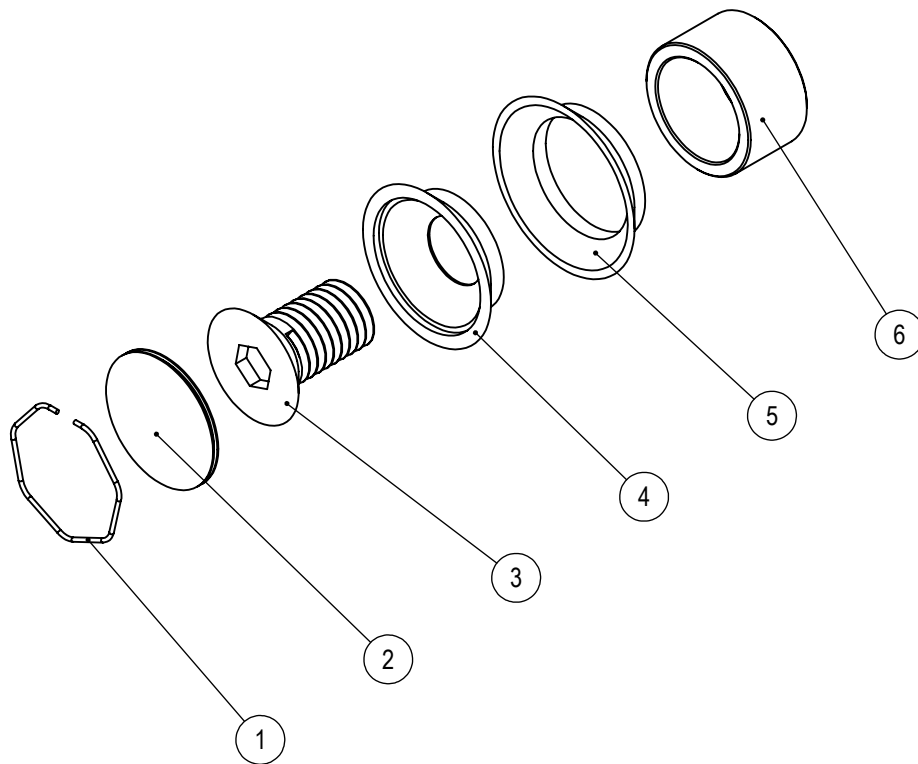


ITEM	PART NUMBER	QTY.	DESCRIPTION	SIZE	MATERIAL	NOTES
1	SC-SPCOV	1	Spring Clip	20*0.6	AISI 316 SS	Fit in Screw Cover
2	SC-COV	1	Screw Cover	20*1	AISI 316 SS	Machined Finish
3	CSK-I-CON	1	Countersunk Insert	24*5.5	AISI 316 SS	Machined Finish
4	CSK-B-CON	1	Countersunk Bush	26.5*5.5	Acetal	Black
5	DS08-02	1	M8 SH-CSK Special	20mm	AISI 316 SS	Machined Face

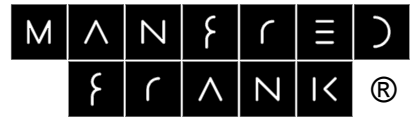


Manfred Frank Systems Limited
 PO. Box 259239, Botany, 2163
 Auckland, New Zealand
www.manfredfrank.com

KITSET D01-034B 20mm Non Glass

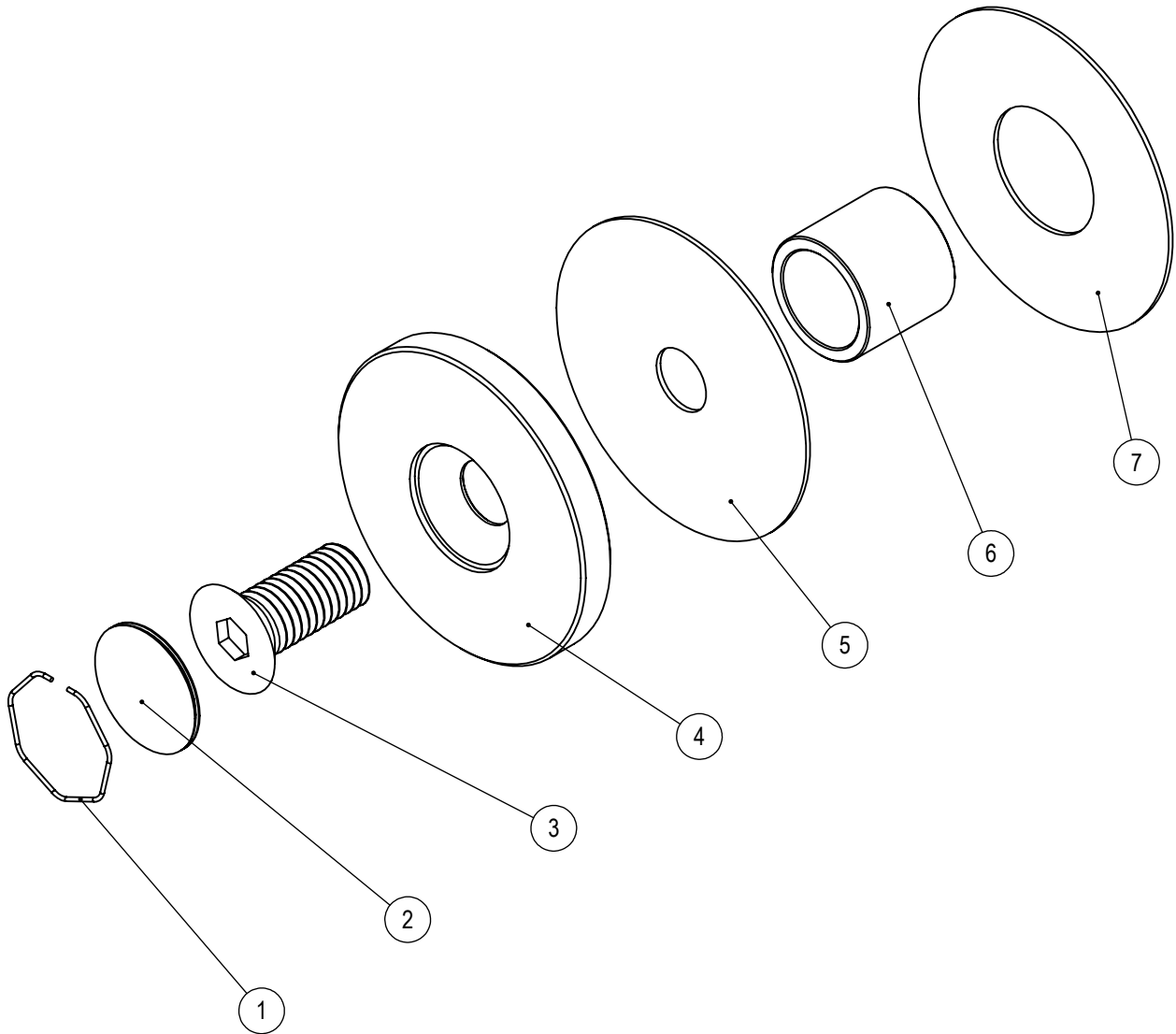


ITEM	PART NUMBER	QTY.	DESCRIPTION	SIZE	MATERIAL	NOTES
1	SC-SPCOV	1	Spring Clip	20*0.6	AISI 316 SS	Fit in Screw Cover
2	SC-COV	1	Screw Cover	20*1	AISI 316 SS	Machined Finish
3	DS10-02	1	M10 SH-CSK Special	18mm	AISI 316 SS	Machined Flat
4	CSK-I-CON	1	Countersunk Insert	24*5.5	AISI 316 SS	Machined Finish
5	CSK-B-CON	1	Countersunk Bush	26.5*5.5	Acetal	Black
6	CP-B-04	1	Bush	19.5*15.2*11	Acetal	White

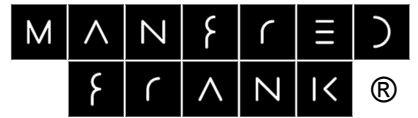


Manfred Frank Systems Limited
 PO. Box 259239, Botany, 2163
 Auckland, New Zealand
 www.manfredfrank.com

KITSET D02-004A 19mm Glass

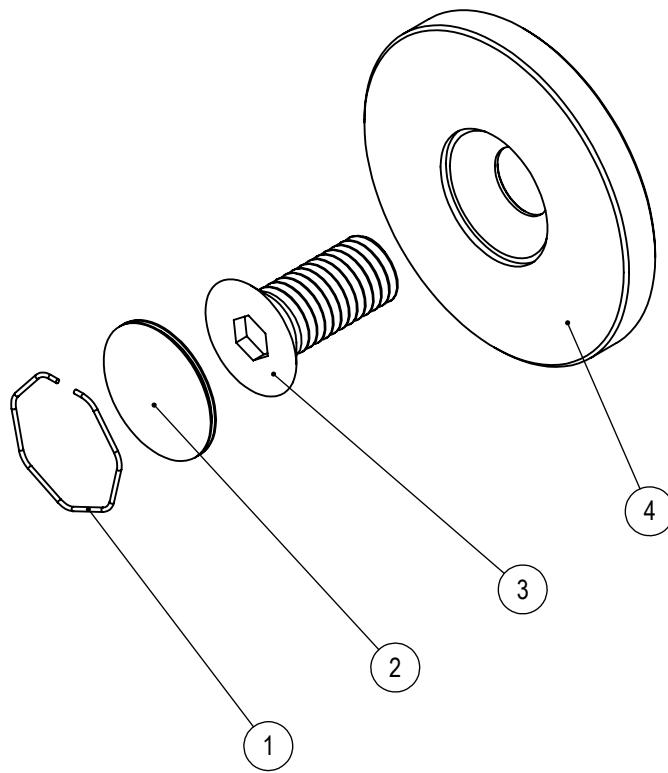


ITEM	PART NUMBER	QTY.	DESCRIPTION	SIZE	MATERIAL	NOTES
1	SC-SPCOV	1	Spring Clip	20*0.6	AISI 316 SS	Fit in Screw Cover
2	SC-COV	1	Screw Cover	20*1	AISI 316 SS	Machined Finish
3	DS10-03	1	M10 SH-CSK Special	23mm	AISI 316 SS	Machine Flat
4	CP-03	1	Clamping Plate Flat	50*5.9	AISI 316 SS	Machined Finish
5	CP-W-01	1	Washer	50*10*0.8	LDPE	Natural Translucent
6	CP-B-08	1	Bush	19.5*15.2x17.7	Acetal	White
7	CP-W-02	1	Washer	50*20*0.8	LDPE	Natural Translucent

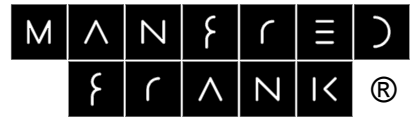


Manfred Frank Systems Limited
 PO. Box 259239, Botany, 2163
 Auckland, New Zealand
 www.manfredfrank.com

KITSET D02-004B 20mm Non Glass

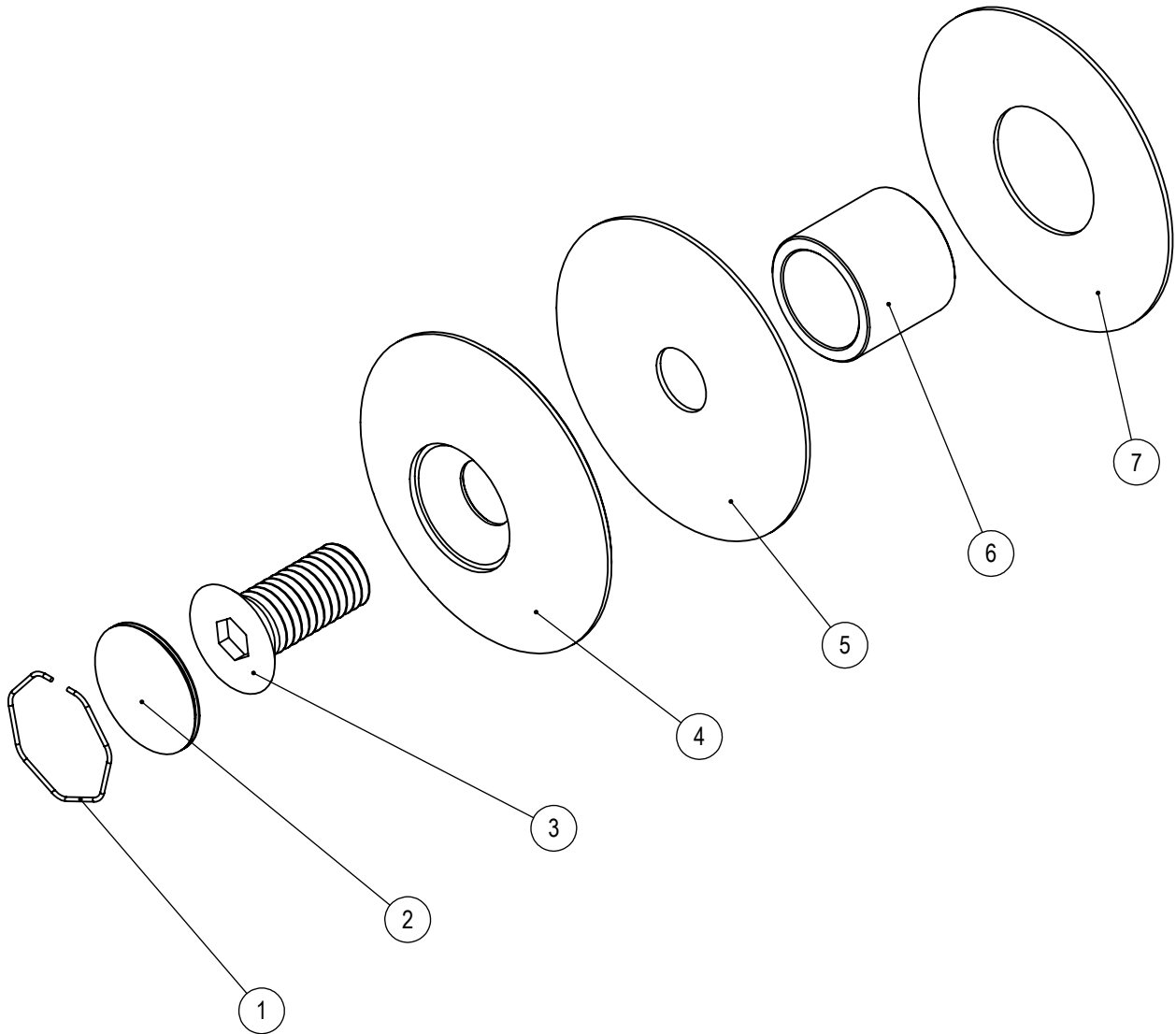


ITEM	PART NUMBER	QTY.	DESCRIPTION	SIZE	MATERIAL	NOTES
1	SC-SPCOV	1	Spring Clip	20*0.6	AISI 316 SS	Fit in Screw Cover
2	SC-COV	1	Screw Cover	20*1	AISI 316 SS	Machined Finish
3	DS10-03	1	M10 SH-CSK Special	23mm	AISI 316 SS	Machine Flat
4	CP-03	1	Clamping Plate Flat	50*5.9	AISI 316 SS	Machined Finish

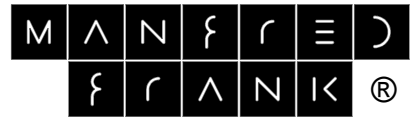


Manfred Frank Systems Limited
 PO. Box 259239, Botany, 2163
 Auckland, New Zealand
 www.manfredfrank.com

KITSET D02-014A 19mm Glass

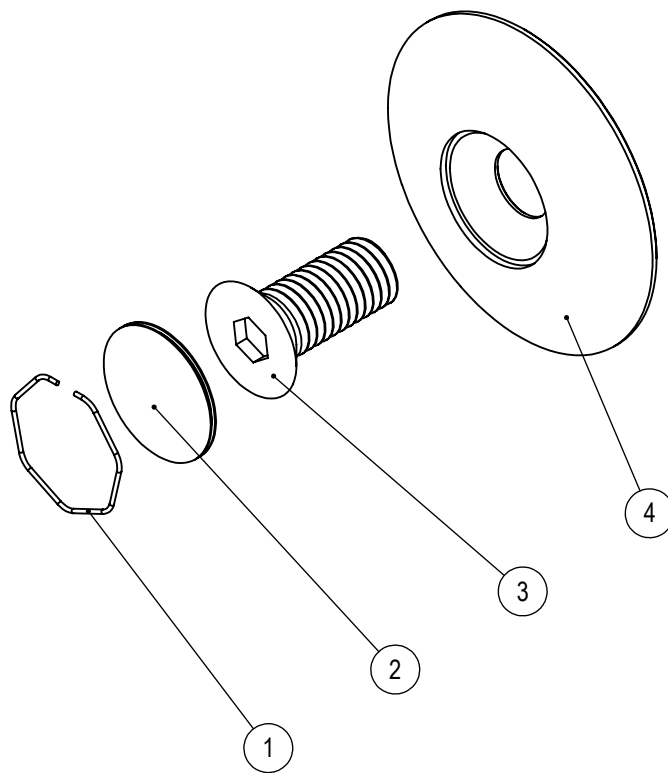


ITEM	PART NUMBER	QTY.	DESCRIPTION	SIZE	MATERIAL	NOTES
1	SC-SPCOV	1	Spring Clip	20*0.6	AISI 316 SS	Fit in Screw Cover
2	SC-COV	1	Screw Cover	20*1	AISI 316 SS	Machined Finish
3	DS10-03	1	M10 SH-CSK Special	23mm	AISI 316 SS	Machine Flat
4	CP-04	1	Clamping Plate Radiused	50*5.9	AISI 316 SS	Machined Finish
5	CP-W-01	1	Washer	50*10*0.8	LDPE	Natural Translucent
6	CP-B-08	1	Bush	19.5*15.2x17.7	Acetal	White
7	CP-W-02	1	Washer	50*20*0.8	LDPE	Natural Translucent



Manfred Frank Systems Limited
 PO. Box 259239, Botany, 2163
 Auckland, New Zealand
www.manfredfrank.com

KITSET D02-014B 20mm Non Glass



ITEM	PART NUMBER	QTY.	DESCRIPTION	SIZE	MATERIAL	NOTES
1	SC-SPCOV	1	Spring Clip	20*0.6	AISI 316 SS	Fit in Screw Cover
2	SC-COV	1	Screw Cover	20*1	AISI 316 SS	Machined Finish
3	DS10-03	1	M10 SH-CSK Special	23mm	AISI 316 SS	Machine Flat
4	CP-04	1	Clamping Plate Radiused	50*5.9	AISI 316 SS	Machined Finish