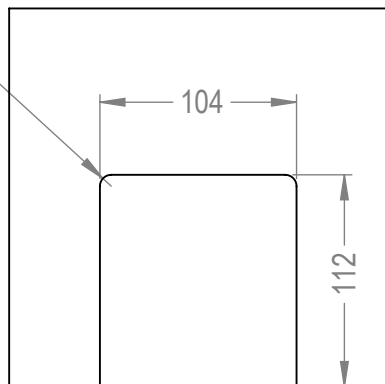
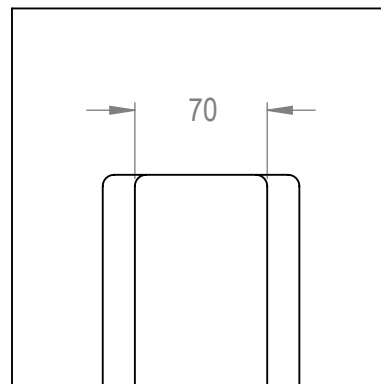


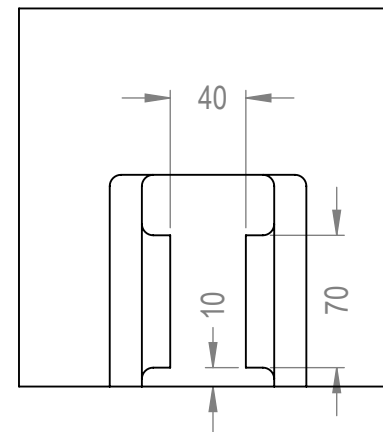
Level 1 Cut



Level 2 Cut

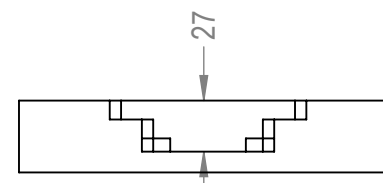
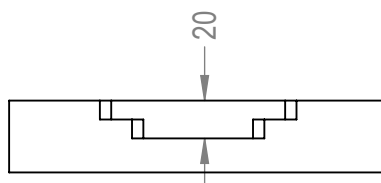
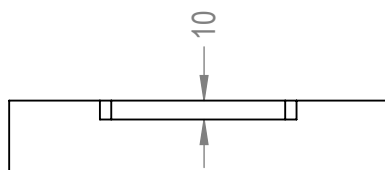


Level 3 Cut

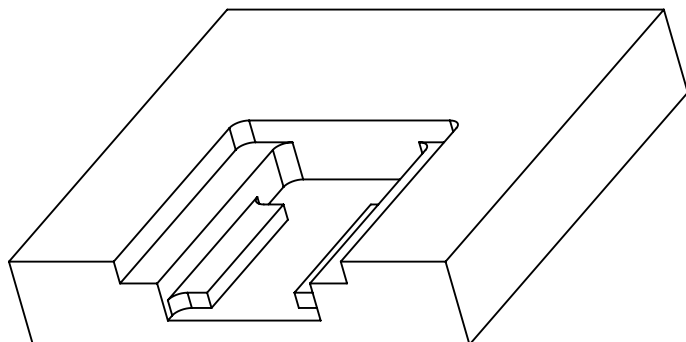
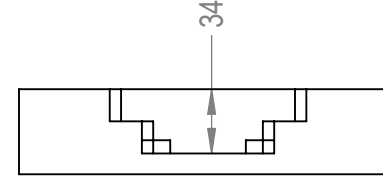
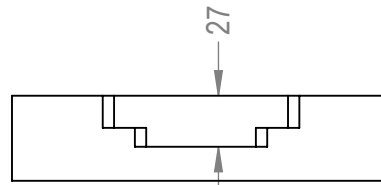
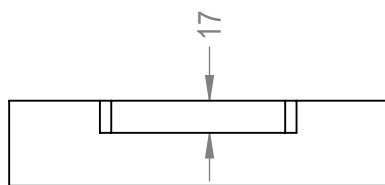


D50 & D51 CUT-OUT Profiles
D5B & D5C Insert
All Door Panel Thickness

D50 CUT-OUT Depths
D5B Insert
Door Panel Thickness
30mm - 41mm



D51 CUT-OUT Depths
D5C Insert
Door Panel Thickness
41mm - 51mm

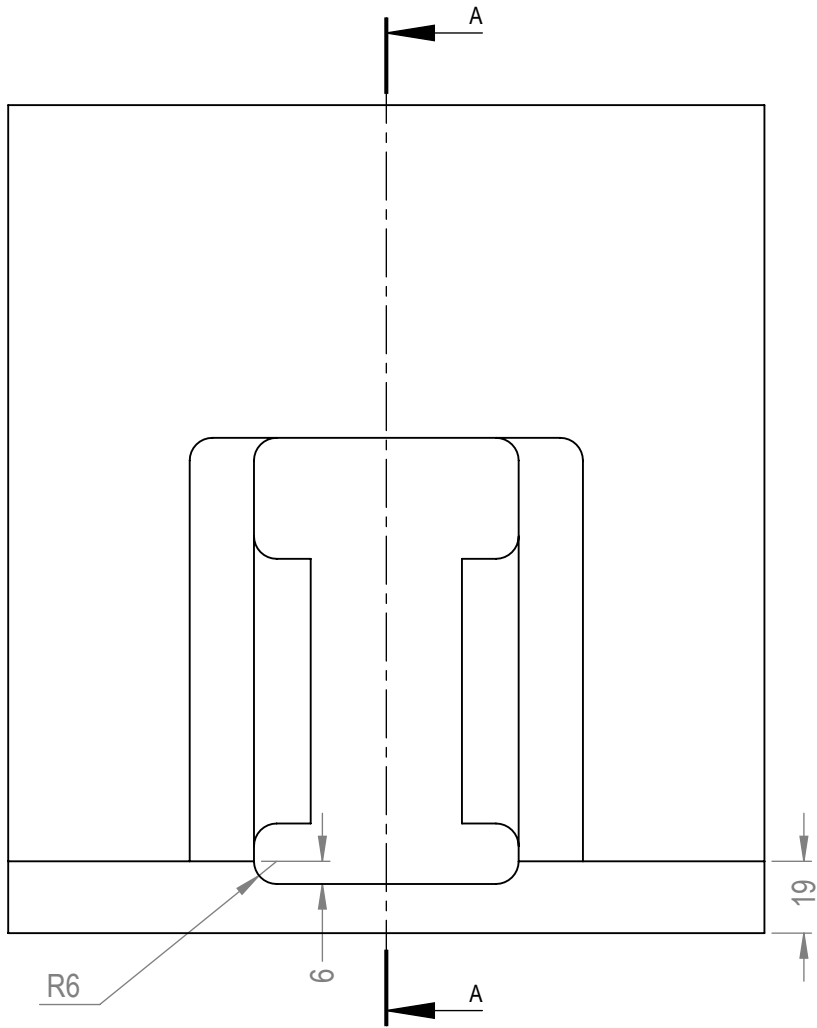


DOOR PANEL CUT OUT DETAILS FOR D50 & D51 DOOR MOUNTS

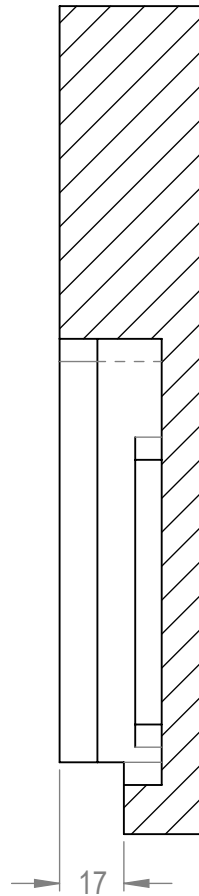


ANGUTEC®

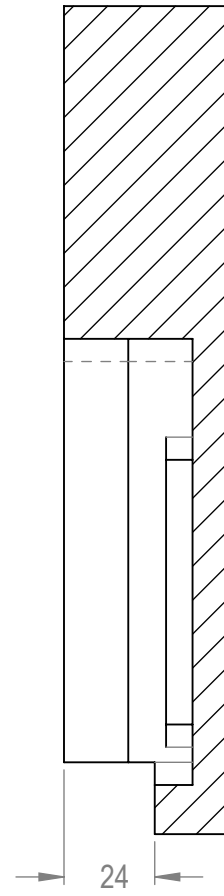
© Manfred Frank Systems Limited
www.manfredfrank.com
ALL RIGHTS RESERVED



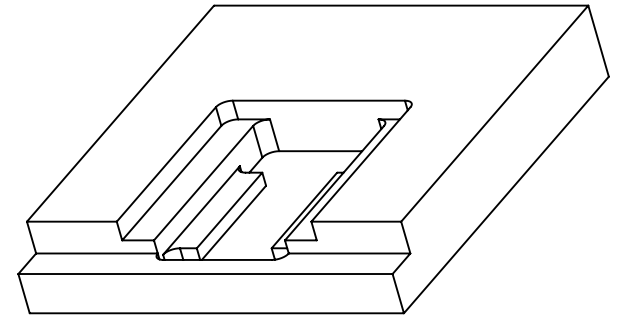
OVERLAY END D50 & D51 CUT-OUT Profiles
D5B & D5C Insert
All Door Panel Thickness



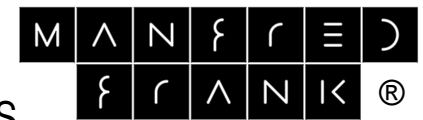
SECTION A-A
D50 OVERLAY END
D5B INSERT



SECTION A-A
D51 OVERLAY END
D5C INSERT



ADDITIONAL DETAILS FOR OVERLAY END DOOR PANEL CUT OUT FOR D50 & D51 DOOR MOUNTS



ANGUTEC®

© Manfred Frank Systems Limited
www.manfredfrank.com
ALL RIGHTS RESERVED