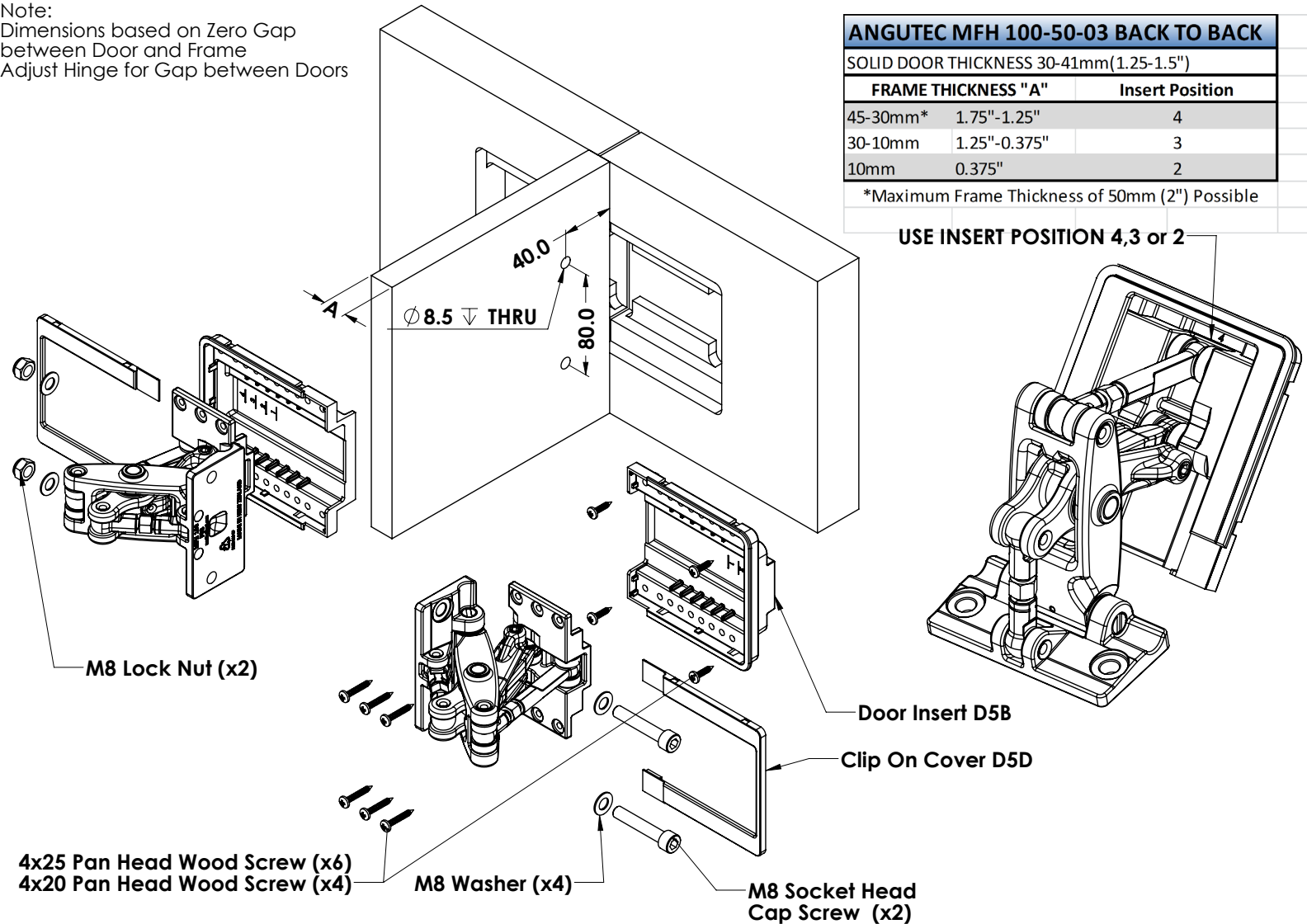


Note:
 Dimensions based on Zero Gap
 between Door and Frame
 Adjust Hinge for Gap between Doors

PANEL DETAILS



ANGUTEK MFH 100-50-03 BACK TO BACK

SOLID DOOR THICKNESS 30-41mm(1.25-1.5")

FRAME THICKNESS "A"	Insert Position
45-30mm*	1.75"-1.25" 4
30-10mm	1.25"-0.375" 3
10mm	0.375" 2

*Maximum Frame Thickness of 50mm (2") Possible

USE INSERT POSITION 4,3 or 2

DISCLAIMER OF LIABILITY:

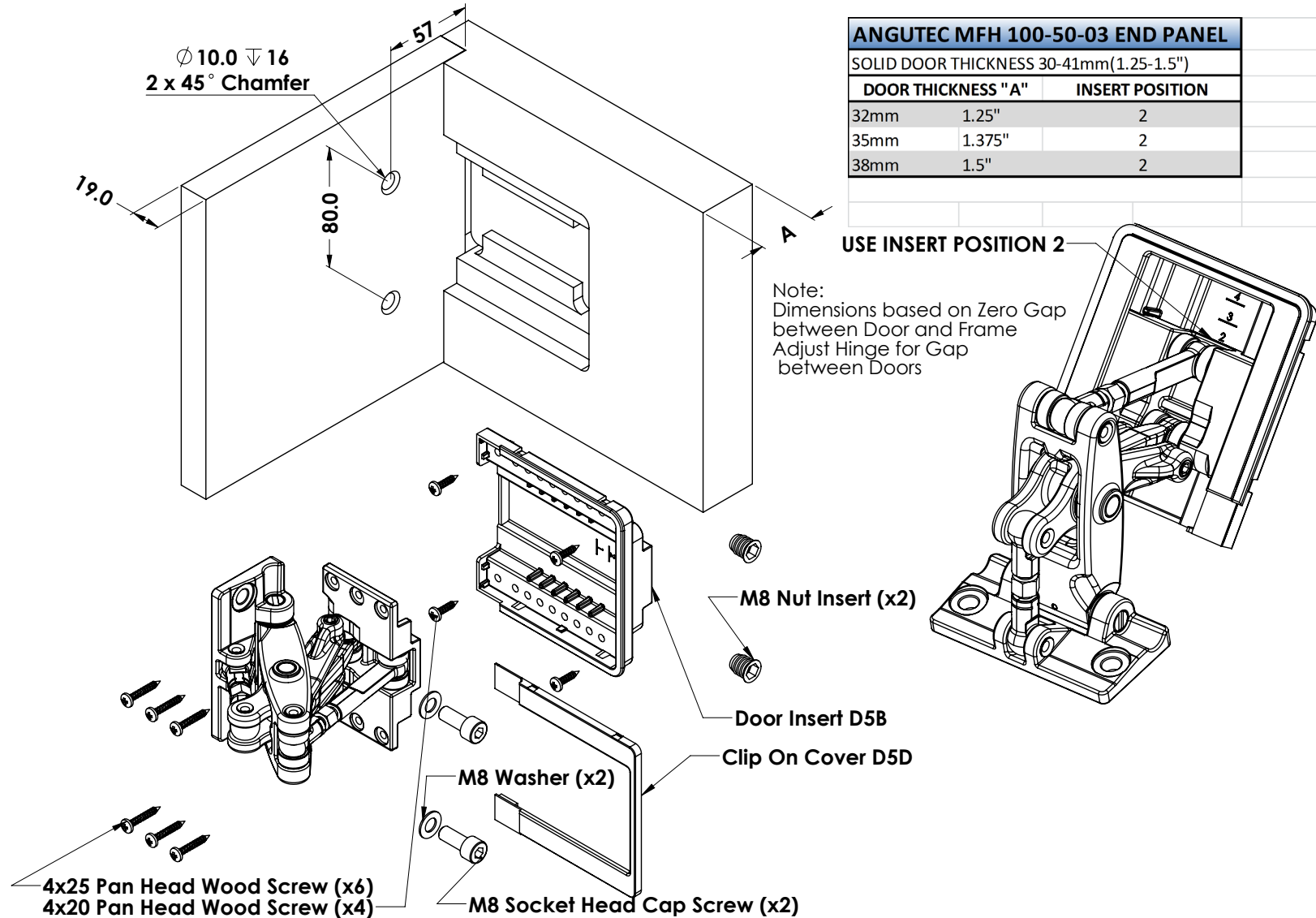
Since the conditions or methods of installation, operation, use and maintenance of this product are beyond its control, Manfred Frank Systems Limited does not assume responsibility and expressly disclaims liability of loss, damage, or expense arising out of or in any way connected with such installation, operation, use, or maintenance.

© Manfred Frank Systems Ltd.
 All Rights Reserved.

CONTACT & SUPPORT:

support@manfredfrank.com
 Manfred Frank Systems, Unit C, 11 Echelon Place, Botany 2013, Auckland, New Zealand
 PO Box 259239, Botany 2163, Auckland, New Zealand
 +64 9 272 3690

END PANEL DETAILS



ANGUTEC MFH 100-50-03 END PANEL		
SOLID DOOR THICKNESS 30-41mm(1.25-1.5")		
DOOR THICKNESS "A"	INSERT POSITION	
32mm	1.25"	2
35mm	1.375"	2
38mm	1.5"	2

USE INSERT POSITION 2

DISCLAIMER OF LIABILITY:

Since the conditions or methods of installation, operation, use and maintenance of this product are beyond its control, Manfred Frank Systems Limited does not assume responsibility and expressly disclaims liability of loss, damage, or expense arising out of or in any way connected with such installation, operation, use, or maintenance.

© Manfred Frank Systems Ltd.
 All Rights Reserved.

CONTACT & SUPPORT:

support@manfredfrank.com
 Manfred Frank Systems, Unit C, 11 Echelon Place, Botany 2013, Auckland, New Zealand
 PO Box 259239, Botany 2163, Auckland, New Zealand
 +64 9 272 3690