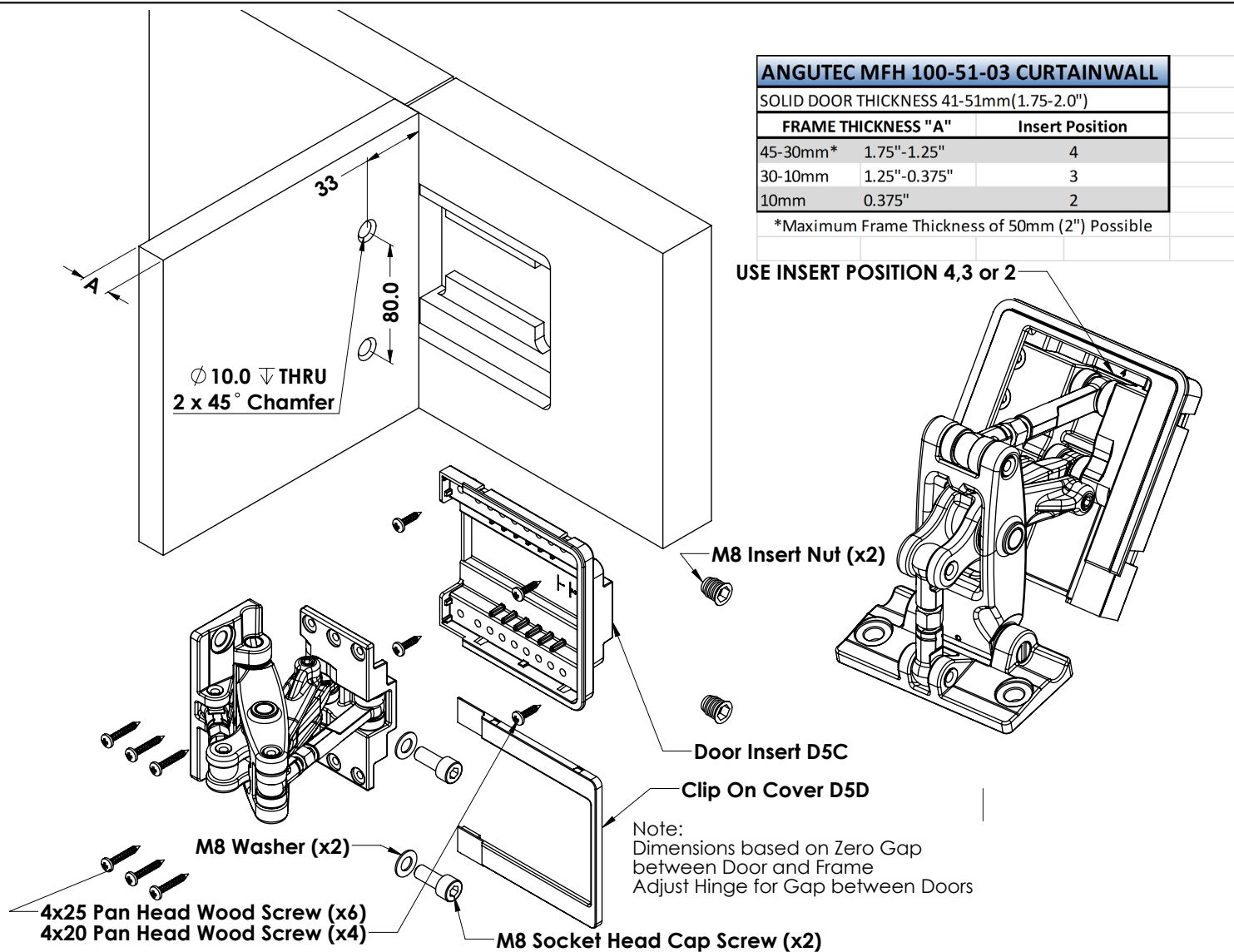


PANEL DETAILS



DISCLAIMER OF LIABILITY:

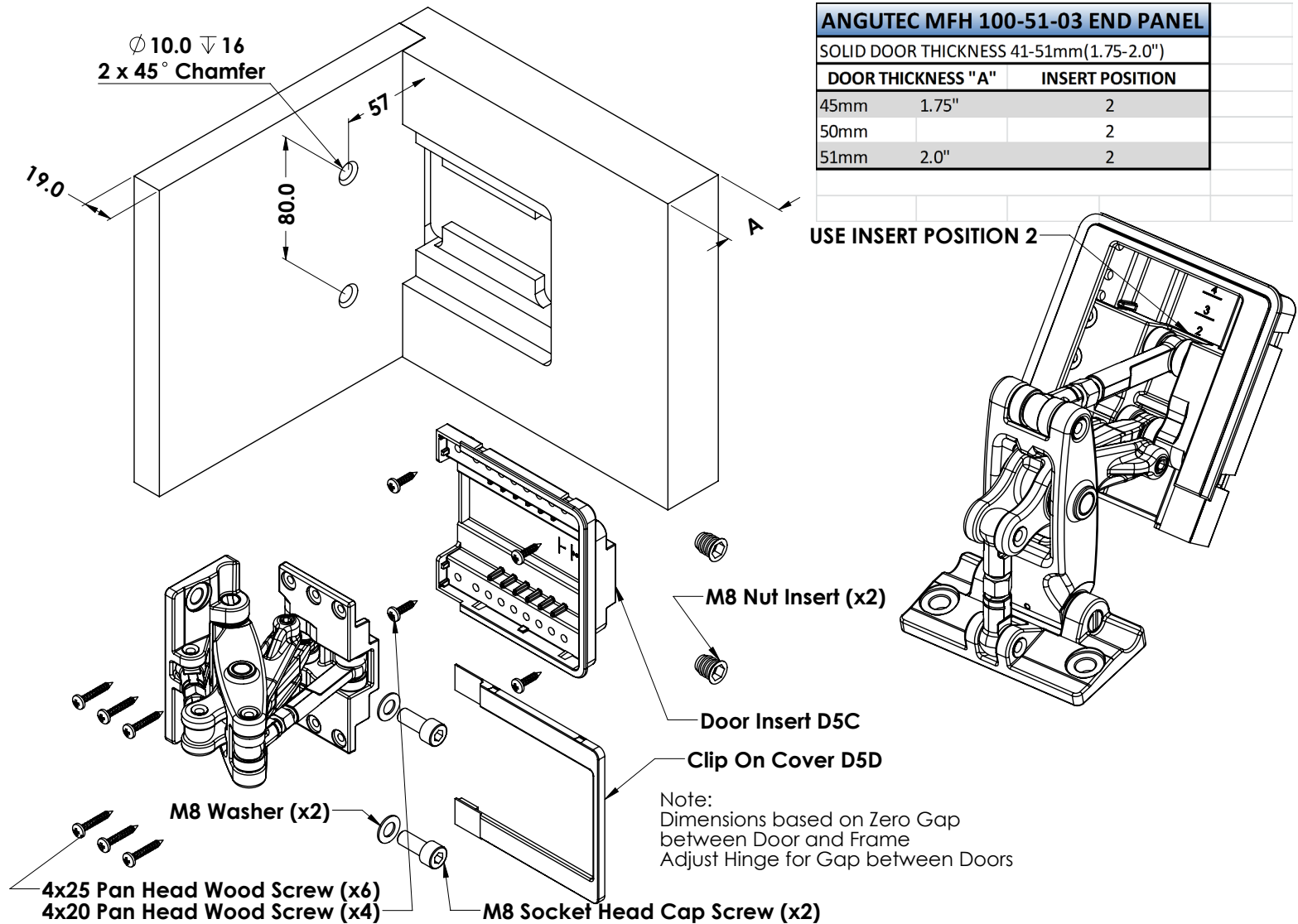
Since the conditions or methods of installation, operation, use and maintenance of this product are beyond its control, Manfred Frank Systems Limited does not assume responsibility and expressly disclaims liability of loss, damage, or expense arising out of or in any way connected with such installation, operation, use, or maintenance.

© Manfred Frank Systems Ltd.
 All Rights Reserved.

CONTACT & SUPPORT:

support@manfredfrank.com
 Manfred Frank Systems, Unit C, 11 Echelon Place, Botany 2013, Auckland, New Zealand
 PO Box 259239, Botany 2163, Auckland, New Zealand
 +64 9 272 3690

END PANEL DETAILS



DISCLAIMER OF LIABILITY:

Since the conditions or methods of installation, operation, use and maintenance of this product are beyond its control, Manfred Frank Systems Limited does not assume responsibility and expressly disclaims liability of loss, damage, or expense arising out of or in any way connected with such installation, operation, use, or maintenance.

© Manfred Frank Systems Ltd.
All Rights Reserved.

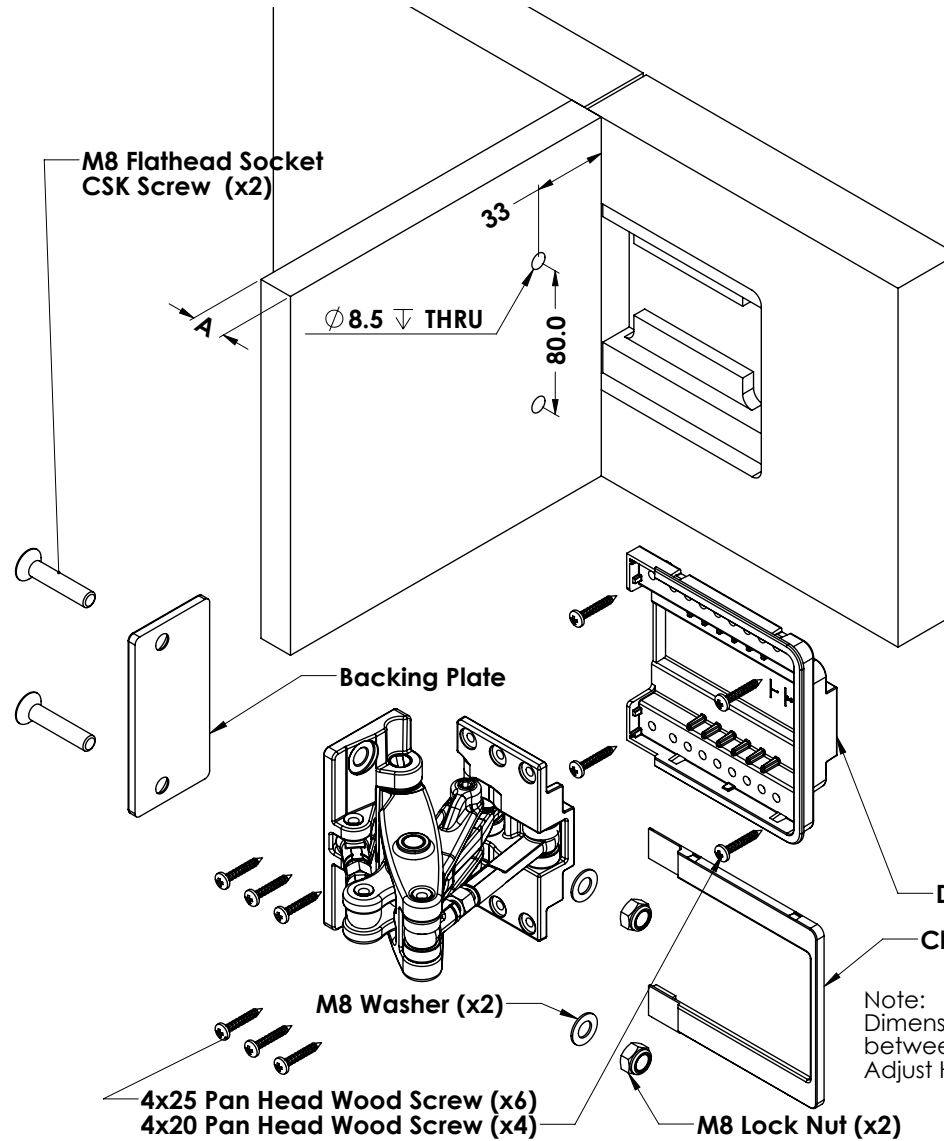
CONTACT & SUPPORT:

support@manfredfrank.com

Manfred Frank Systems, Unit C, 11 Echelon Place, Botany 2013, Auckland, New Zealand
PO Box 259239, Botany 2163, Auckland, New Zealand

+64 9 272 3690

FRAME DETAILS



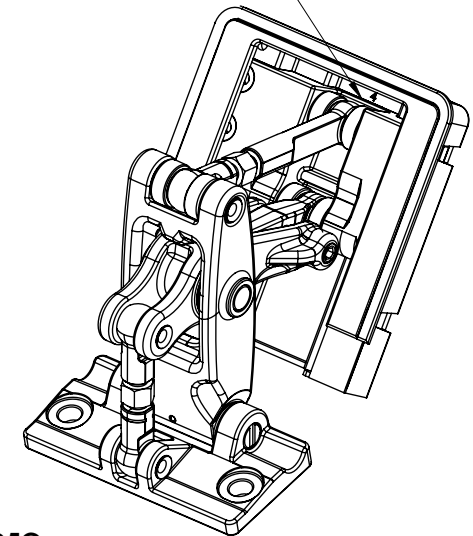
ANGUTEC MFH 100-51-03 CURTAINWALL

SOLID DOOR THICKNESS 41-51mm(1.75-2.0")

FRAME THICKNESS "A"	Insert Position	
45-30mm*	1.75"-1.25"	4
30-10mm	1.25"-0.375"	3
10mm	0.375"	2

*Maximum Frame Thickness of 50mm (2") Possible

USE INSERT POSITION 4,3 or 2



Note:
Dimensions based on Zero Gap
between Door and Frame
Adjust Hinge for Gap between Doors

DISCLAIMER OF LIABILITY:

Since the conditions or methods of installation, operation, use and maintenance of this product are beyond its control, Manfred Frank Systems Limited does not assume responsibility and expressly disclaims liability of loss, damage, or expense arising out of or in any way connected with such installation, operation, use, or maintenance.

© Manfred Frank Systems Ltd.
All Rights Reserved.

CONTACT & SUPPORT:
support@manfredfrank.com
Manfred Frank Systems, Unit C, 11 Echelon Place, Botany 2013, Auckland, New Zealand
PO Box 259239, Botany 2163, Auckland, New Zealand
+64 9 272 3690