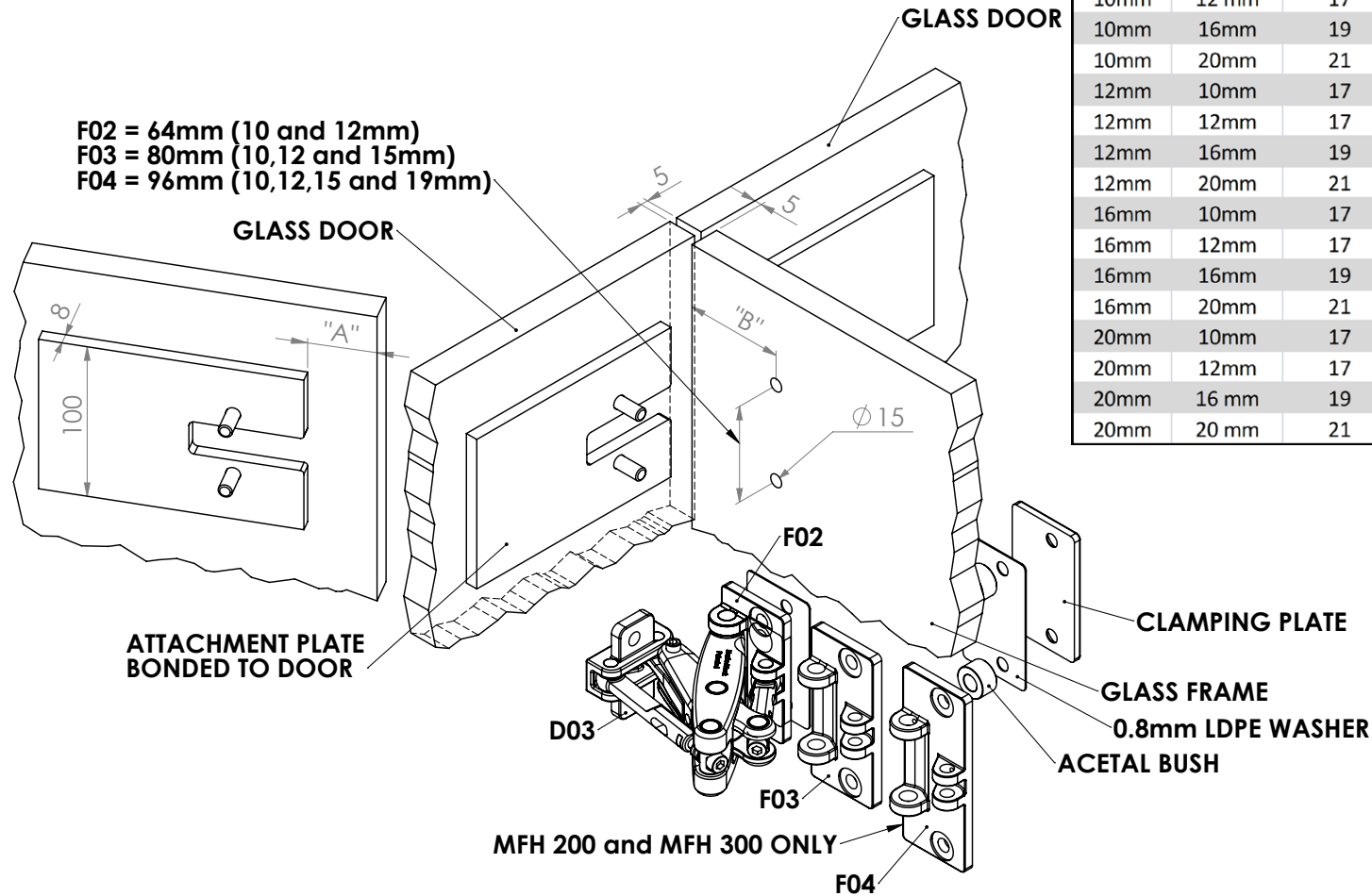


NOTE: THE 5mm GAP BETWEEN THE DOOR AND NEXT PANEL IS CENTRAL ABOUT THE FRAME THICKNESS



MFH 100, MFH 200 and MFH 300			
CURTAIN WALL D03 FRONT MOUNT BONDED			
GLASS DOOR TO GLASS FRAME			
DOOR	FRAME	"A"	"B"
10mm	10 mm	17	60
10mm	12 mm	17	60
10mm	16mm	19	60
10mm	20mm	21	60
12mm	10mm	17	60
12mm	12mm	17	60
12mm	16mm	19	60
12mm	20mm	21	60
16mm	10mm	17	60
16mm	12mm	17	60
16mm	16mm	19	60
16mm	20mm	21	60
20mm	10mm	17	60
20mm	12mm	17	60
20mm	16 mm	19	60
20mm	20 mm	21	60

DISCLAIMER OF LIABILITY:

Since the conditions or methods of installation, operation, use and maintenance of this product are beyond its control, Manfred Frank Systems Limited does not assume responsibility and expressly disclaims liability of loss, damage, or expense arising out of or in any way connected with such installation, operation, use, or maintenance.

© Manfred Frank Systems Ltd.
All Rights Reserved.

CONTACT & SUPPORT:

support@manfredfrank.com

Manfred Frank Systems, Unit C, 11 Echelon Place, Botany 2013, Auckland, New Zealand
PO Box 259239, Botany 2163, Auckland, New Zealand

+64 9 272 3690