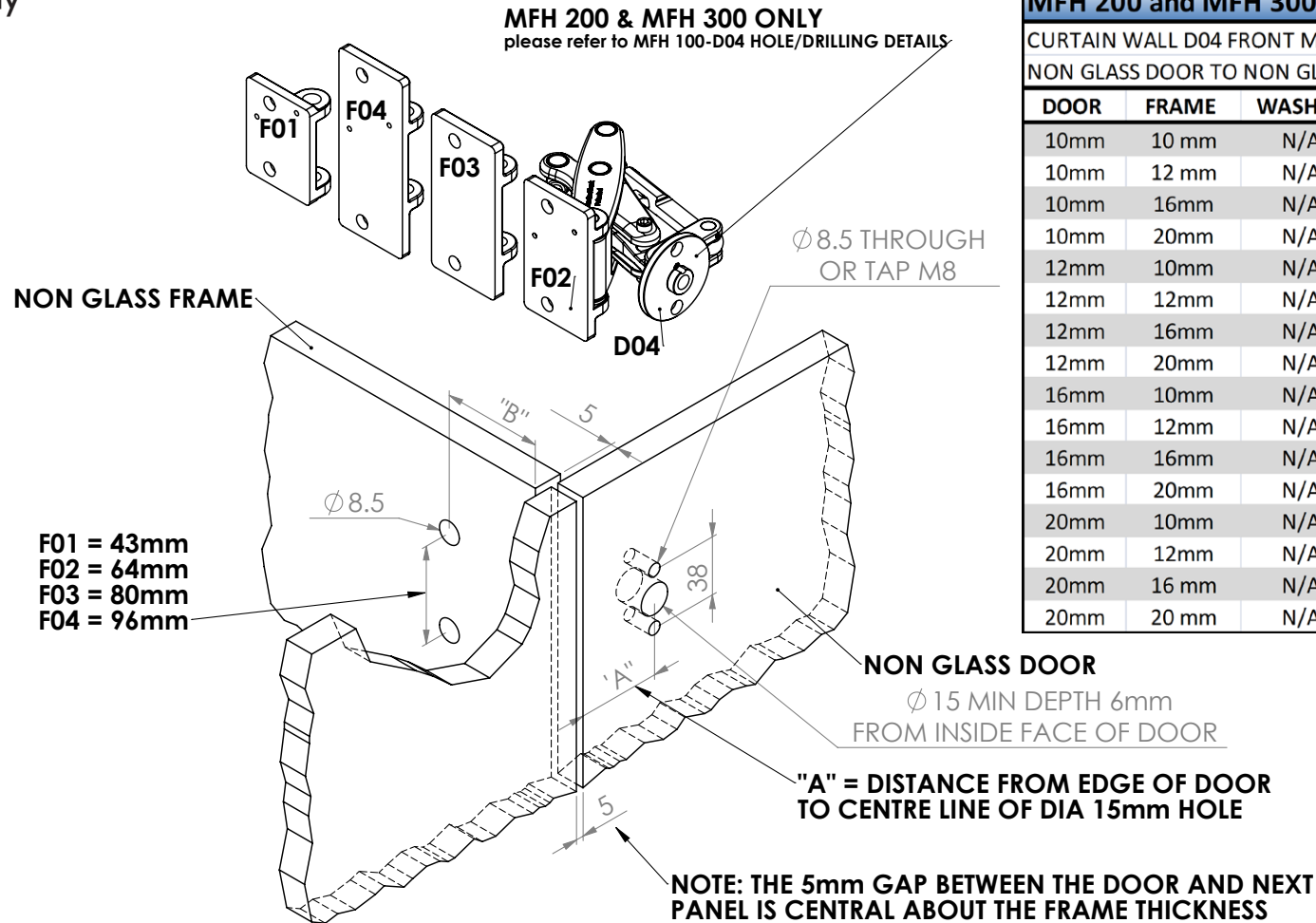


MFH200 & MFH300 Only



MFH 200 and MFH 300					
CURTAIN WALL D04 FRONT MOUNT					
NON GLASS DOOR TO NON GLASS FRAME					
DOOR	FRAME	WASHER	SPACER	"A"	"B"
10mm	10 mm	N/A	N/A	37	59
10mm	12 mm	N/A	N/A	38	59
10mm	16mm	N/A	N/A	40	59
10mm	20mm	N/A	N/A	42	59
12mm	10mm	N/A	N/A	37	59
12mm	12mm	N/A	N/A	38	59
12mm	16mm	N/A	N/A	40	59
12mm	20mm	N/A	N/A	42	59
16mm	10mm	N/A	N/A	37	59
16mm	12mm	N/A	N/A	38	59
16mm	16mm	N/A	N/A	40	59
16mm	20mm	N/A	N/A	42	59
20mm	10mm	N/A	N/A	37	59
20mm	12mm	N/A	N/A	38	59
20mm	16 mm	N/A	N/A	40	59
20mm	20 mm	N/A	N/A	42	59

DISCLAIMER OF LIABILITY:

Since the conditions or methods of installation, operation, use and maintenance of this product are beyond its control, Manfred Frank Systems Limited does not assume responsibility and expressly disclaims liability of loss, damage, or expense arising out of or in any way connected with such installation, operation, use, or maintenance.

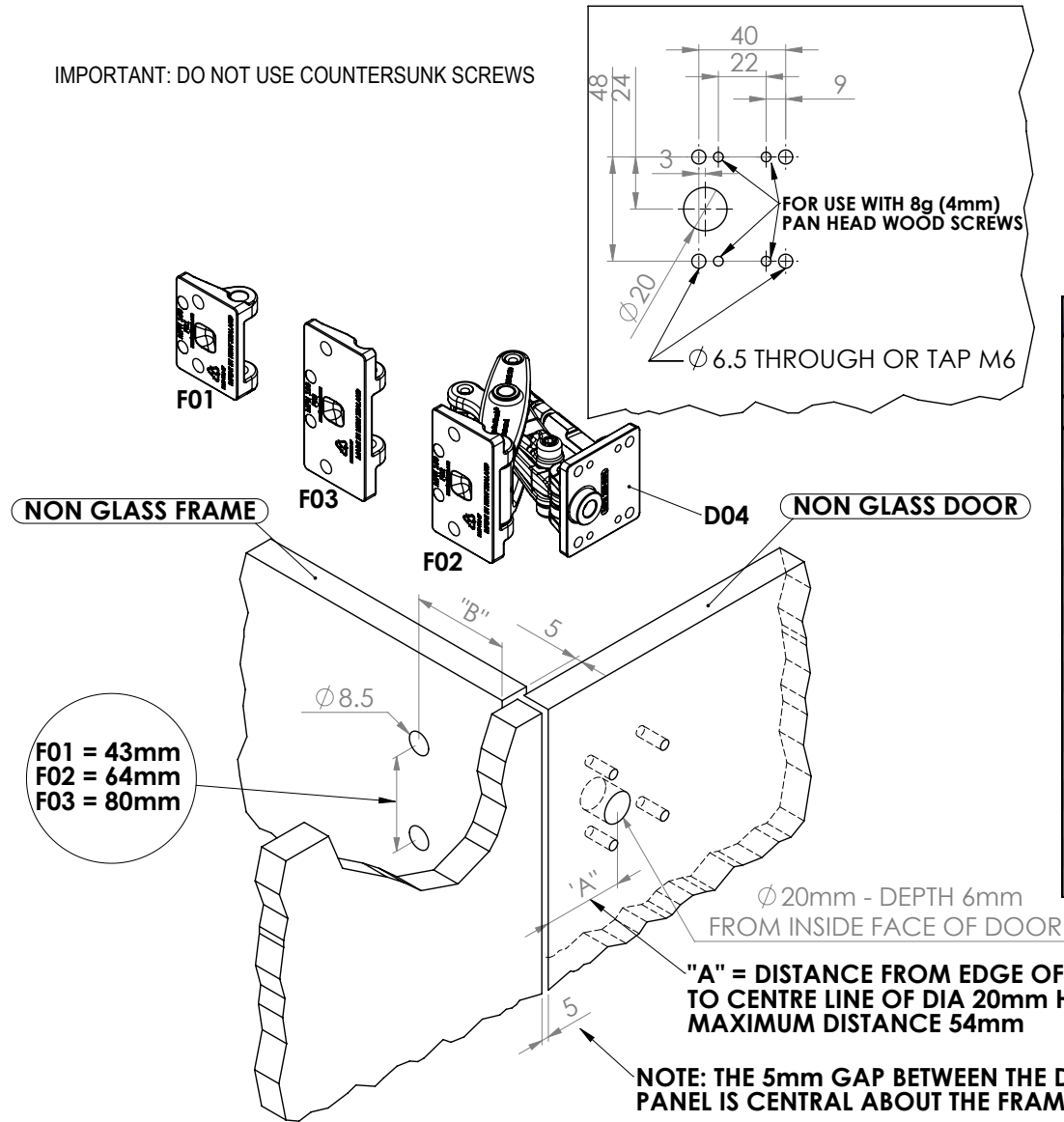
© Manfred Frank Systems Ltd.
All Rights Reserved.

CONTACT & SUPPORT:

support@manfredfrank.com
Manfred Frank Systems, Unit C, 11 Echelon Place, Botany 2013, Auckland, New Zealand
PO Box 259239, Botany 2163, Auckland, New Zealand
+64 9 272 3690

MFH100 Only

IMPORTANT: DO NOT USE COUNTERSUNK SCREWS



MFH 100 ANGUTEC						
CURTAIN WALL D04 FRONT MOUNT						
NON GLASS DOOR TO NON GLASS FRAME						
DOOR	FRAME	WASHER	SPACER	"A"	"B"	
10mm	10 mm	N/A	N/A	37	59	
10mm	12 mm	N/A	N/A	38	59	
10mm	16mm	N/A	N/A	40	59	
10mm	20mm	N/A	N/A	42	59	
12mm	10mm	N/A	N/A	37	59	
12mm	12mm	N/A	N/A	38	59	
12mm	16mm	N/A	N/A	40	59	
12mm	20mm	N/A	N/A	42	59	
16mm	10mm	N/A	N/A	37	59	
16mm	12mm	N/A	N/A	38	59	
16mm	16mm	N/A	N/A	40	59	
16mm	20mm	N/A	N/A	42	59	
20mm	10mm	N/A	N/A	37	59	
20mm	12mm	N/A	N/A	38	59	
20mm	16 mm	N/A	N/A	40	59	
20mm	20 mm	N/A	N/A	42	59	

DISCLAIMER OF LIABILITY:

Since the conditions or methods of installation, operation, use and maintenance of this product are beyond its control, Manfred Frank Systems Limited does not assume responsibility and expressly disclaims liability of loss, damage, or expense arising out of or in any way connected with such installation, operation, use, or maintenance.

© Manfred Frank Systems Ltd.
All Rights Reserved.

CONTACT & SUPPORT:
support@manfredfrank.com
Manfred Frank Systems, Unit C, 11 Echelon Place, Botany 2013, Auckland, New Zealand
PO Box 259239, Botany 2163, Auckland, New Zealand
+64 9 272 3690