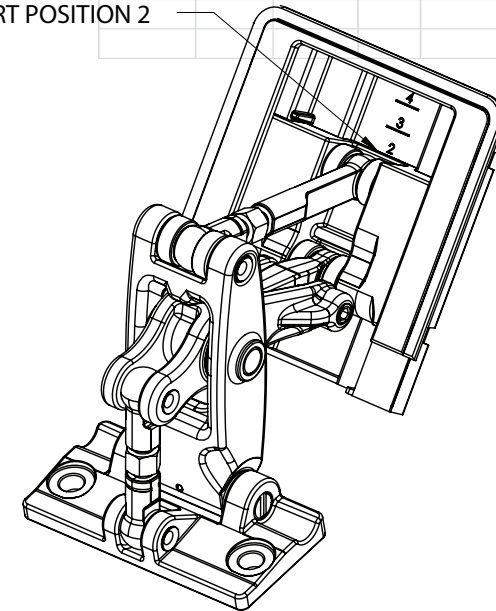


ANGUTEC MFH 100-50-03 INSET			
SOLID DOOR THICKNESS 30-41mm(1.25-1.5")			
DOOR THICKNESS	"A"	Insert Position	
32mm	1.25"	72	2
35mm	1.375"	75	2
38mm	1.5"	78	2
Xmm		"X+40"	

USE INSERT POSITION 2



**DISCLAIMER OF LIABILITY:**

Since the conditions or methods of installation, operation, use and maintenance of this product are beyond its control, Manfred Frank Systems Limited does not assume responsibility and expressly disclaims liability of loss, damage, or expense arising out of or in any way connected with such installation, operation, use, or maintenance.

© Manfred Frank Systems Ltd.  
All Rights Reserved.

**CONTACT & SUPPORT:**

support@manfredfrank.com

Manfred Frank Systems, Unit C, 11 Echelon Place, Botany 2013, Auckland, New Zealand  
PO Box 259239, Botany 2163, Auckland, New Zealand

+64 9 272 3690