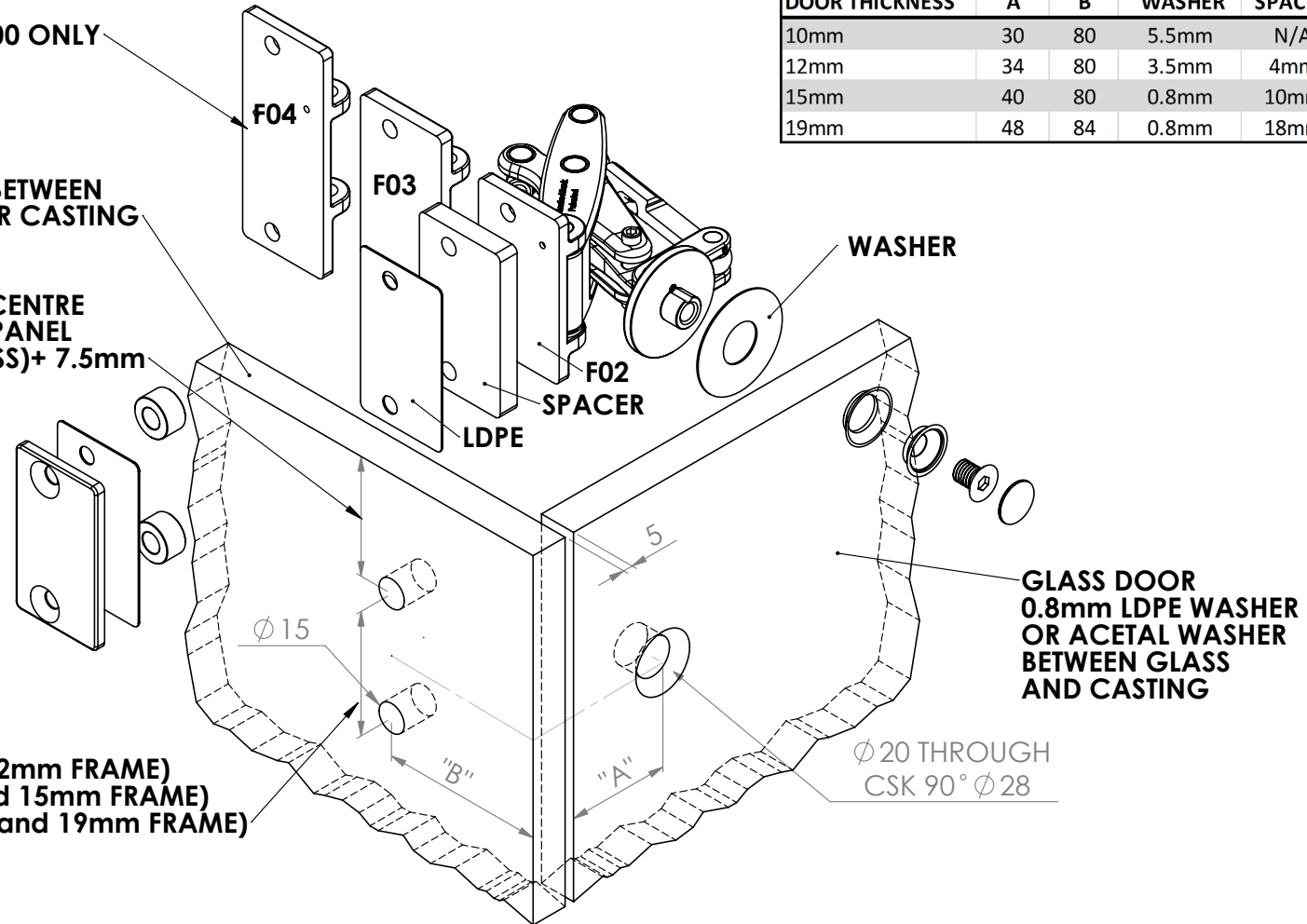


| MFH 100, MFH 200 and MFH 300 | | | | |
|-----------------------------------|-----|-----|--------|--------|
| INSET D01 and D02 FRONT MOUNT CSK | | | | |
| GLASS DOOR TO GLASS FRAME | | | | |
| DOOR THICKNESS | "A" | "B" | WASHER | SPACER |
| 10mm | 30 | 80 | 5.5mm | N/A |
| 12mm | 34 | 80 | 3.5mm | 4mm |
| 15mm | 40 | 80 | 0.8mm | 10mm |
| 19mm | 48 | 84 | 0.8mm | 18mm |

MFH 200 AND MFH 300 ONLY

GLASS FRAME
0.8mm LDPE WASHER BETWEEN
GLASS AND SPACER OR CASTING

MIN DISTANCE FROM CENTRE
OF HOLE TO EDGE OF PANEL
= (4 X GLASS THICKNESS)+ 7.5mm



F02 = 64mm (10 and 12mm FRAME)
F03 = 80mm (10,12 and 15mm FRAME)
F04 = 96mm (10,12,15 and 19mm FRAME)

DISCLAIMER OF LIABILITY:

Since the conditions or methods of installation, operation, use and maintenance of this product are beyond its control, Manfred Frank Systems Limited does not assume responsibility and expressly disclaims liability of loss, damage, or expense arising out of or in any way connected with such installation, operation, use, or maintenance.

© Manfred Frank Systems Ltd.
 All Rights Reserved.

CONTACT & SUPPORT:

support@manfredfrank.com

Manfred Frank Systems, Unit C, 11 Echelon Place, Botany 2013, Auckland, New Zealand
 PO Box 259239, Botany 2163, Auckland, New Zealand

+64 9 272 3690